



MASSEY FERGUSON

**WOODS**

# IMPLEMENTS CATALOG | 2020



**RELIABILITY TIMES TWO**

Massey Ferguson is a worldwide brand of AGCO.  
Woods is a Blount International brand.



# A POWERFUL TEAM TAKES THE FIELD



**WOODS**



**MASSEY FERGUSON**

**YOUR MISSION IS SIMPLE:** to get the job done. You don't want every bell and whistle. You want power, efficiency, safety – and reliability.

How do we know? Because Massey Ferguson has been working alongside farmers for more than 160 years. It's how we've come up with innovations farmers really need — like the first three-point hitch. And the most productive CVT transmission in the world.

## The Perfect Match

Now Massey Ferguson has teamed up with Woods Equipment, a company that's also steeped in tradition and innovation. Both companies have been around for generations — something you can count on to continue.

Together, we offer you an impressive combination of power and reliability — whether you're cutting tough brush or maintaining a pristine landscape.

## Implementing Reliability

Long known for equipment that's easy to operate and loaded with safety features, Woods joins Massey Ferguson in delivering a total package that includes the right tractor with a full range of quality implements. Put them together, and you've got one reliable farming solution.

### FIND A DEALER

To learn more and find the dealer near you, go to [masseyferguson.us](http://masseyferguson.us)

# WHAT'S INSIDE

<b>Batwing® Rotary Cutters</b>	4	<b>Snow Blowers</b>	38
12-foot Batwing	6	<b>Landscape Equipment</b>	40
15-foot Batwing	8	Quick-Hitch	41
20-foot Batwing	12	Box Scrapers	42
<b>Single-spindle Rotary Cutters</b>	14	Grading Scrapers	43
RC-Series Single-spindle	15	Rear Blades	44
BrushBull™ Single-spindle	16	Landscape Rakes	48
Ditch Bank	22	3-point Log Splitter	50
<b>Multi-spindle Rotary Cutters</b>	23	Post Hole Diggers	50
Dual-spindle	24	Cultipackers	51
Offset Dual-spindle	27	<b>Tillage Equipment</b>	52
<b>Finish Mowers</b>	30	Rotary Tillers	54
Rear Discharge	32	Disc Harrows	56
Estate Model Turf Batwing	35	<b>Seeders</b>	58
Commercial Model Turf Batwing	35	Food Plot Seeders	60
<b>Flail Shredders</b>	36	Precision Super Seeders	61
Center Drive	36	Compact Super Seeders	62

**TOP FIVE  
IMPLEMENTS**

SEE PAGES 66-67 FOR  
THE TOP 5 IMPLEMENTS  
EVERY FARM NEEDS.

## **Batwing®** **ROTARY CUTTERS**

**WE NOT ONLY BUILD  
THE TOUGHEST BATWING®,  
WE BUILD THE ONLY BATWING.**

### **PROVEN DURABILITY**

We not only build the toughest Batwing®, we build the only Batwing. But, don't just choose us for our name, choose us for the hours of testing in extreme conditions, the rugged sub-structure, and the industry-leading welding and paint standards. Choose Batwing for the sheer ability to tame the most unruly waterways, pastures and roadsides.

### **UNBEATABLE PERFORMANCE**

Higher torque capacities, deeper decks and our innovative wing design ensure you'll mow more material in less time. Woods Batwing cutters set the standards for cut quality, distribution and ease of use, whether you're cutting heavy grass, thick weeds and brush up to 4.5 inches in diameter.







# BW15.50



# ROTARY CUTTERS | **12' Batwing®**

The original Batwing in a 12-foot width, designed specifically for compact tractors.



**BW12**

\* NOTE: All Batwing models with removable shielding have been tested without shielding and pass all applicable safety standards for thrown objects. However, if these units will be used in areas where the possibility of thrown objects could be hazardous to persons or property, it is strongly recommended that chain shielding be used for extra protection.

# ROTARY CUTTERS | 12' Batwing®



## BW12

Shown with standard chain shielding

### TRACTOR PTO HP RANGE: MINIMUM 35 HP

#### BW12 | 12-foot Dual-wing Cutter

Requiring a minimum of 35 hp, the BW12 gives you Woods quality and performance in a sleek, round-front design and our industry-leading sloped deck.

- Total weight 2,450 lbs. with 750-lb tongue weight, ideal for use on lower horsepower compact and utility tractors
- Twelve-gauge, high-strength steel and smooth, sloped deck provide durability for long life
- Easy hook-up reduces preparation time and frustration
- Fully baffled deck ensures better distribution of cut material, and the performance you expect from Woods
- Six-year gearbox warranty including seals, for confidence in your purchase decision
- Standard chain shielding, for added safety and peace of mind

MODEL	BW12
Tractor PTO HP	35 hp minimum
Tractor Hitch	swivel clevis
Cutting Width	12.2'
Cutting Height Range	2 - 12"
Cutting Capacity	1.5" dia
Gearbox HP	160 hp - splitter / 75 hp - center and wing
Blade Tip Speed	14,300 fpm center / 14,900 fpm wing
Deck Thickness	12 ga, high-strength steel
Side Frame Thickness	7 gauge
Deck Side Depth	11"
Weight (tongue/total)	750 lbs / 2,450 lbs
Blade Dimensions	.5" x 4"
Blade Overlap	6"
Flex Wing	90° up, 22° down
Tires	21" laminated; new AG; or foam-filled
Suspension	spring on center section
PTO Driveline (main/wing)	CAT 4 / CAT 3
Cutting Area Shielding	standard chain shielding
Warranty (cutter/gearbox)	1 year / 6 year limited



# THE BEST BATWING® YOU EVER DESIGNED.

Introducing the new customer-designed 15-foot series Batwing from Woods. It's more reliable, more durable, easier-to-use, easier-to-maintain and built to perform better. It's the flexwing cutter you always wanted, you just needed a company to build it.



**“I WANT TO CUT MORE AND MAINTAIN LESS”**

**Ben Faivre, Polo, Illinois**  
Farmer and Batwing Designer

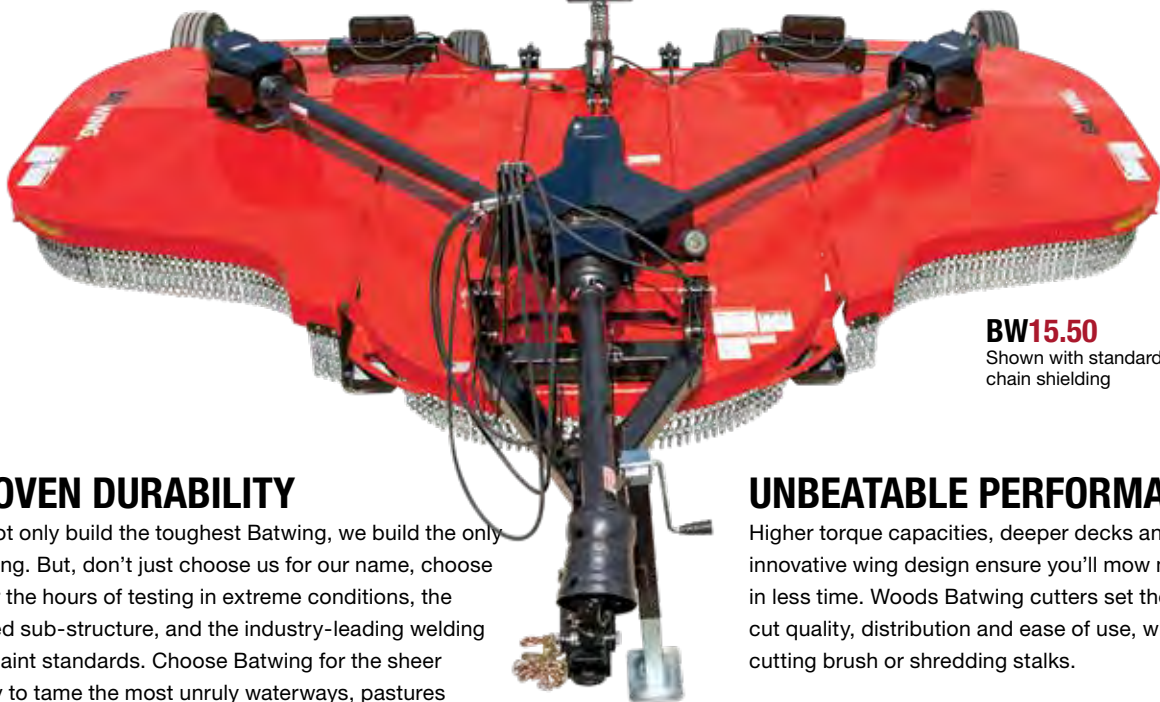
**“I WANT A QUICK AND EASY TRACTOR HOOK-UP”**

**Steve McCullough, Watseka, Illinois**  
Third Generation Family-owned Dealership and Batwing Designer



**“I WANT TO GET RID OF DEBRIS COLLECTING ON THE DECK”**

**Shawn Schaaf, Rock City, Illinois**  
Rock Run Township Highway Commissioner and Batwing Designer



**BW15.50**  
Shown with standard chain shielding

## PROVEN DURABILITY

We not only build the toughest Batwing, we build the only Batwing. But, don't just choose us for our name, choose us for the hours of testing in extreme conditions, the rugged sub-structure, and the industry-leading welding and paint standards. Choose Batwing for the sheer ability to tame the most unruly waterways, pastures and roadsides.

## UNBEATABLE PERFORMANCE

Higher torque capacities, deeper decks and our innovative wing design ensure you'll mow more material in less time. Woods Batwing cutters set the standards for cut quality, distribution and ease of use, whether you're cutting brush or shredding stalks.



# ROTARY CUTTERS | 15' Batwing®

Maintain grassy fields, pastures, waterways, parks and airports; cut weeds and light brush up to 2.5 inches in diameter.



## BATWING.

### BW15.50

Shown with standard chain shielding

### TRACTOR PTO HP RANGE: 45 - 200 HP

**BW10.50** | 10.5-foot flex-wing rotary cutter

**BW15.50** | 15-foot flex-wing rotary cutter

The BW15.50 is ideal for cutting tall grasses and saplings up to 2.5 inches in diameter.

Here are just a few features exclusive to Woods that rotary cutter users like you told us were important in our 15-foot series.

- New patent-pending driveline lift assistance system makes it easy to hook up; standard on all models
- Rounded wings easily maneuver around obstacles and slice through tall brush while the curved leading edge shrugs off impact
- New gearbox seal technology reduces leaks and downtime and is backed by our six-year gearbox warranty, which includes the seals
- A steel tube around the perimeter absorbs shock and creates a stronger, longer-lasting machine
- Chain shielding is integrated with the frame to prevent damage
- Greasable Quick-Change blade pins are easy to remove

MODEL	BW10.50*/BW15.50
Tractor PTO HP Range	45–200 hp
Cutting Height	2–15"
Cutting Capacity	2.5" dia
Cutting Width	126" / 180"
Blade Tip Speed	15,000 fpm at 540 rpm 16,000 fpm at 1000 rpm
Weight	4,040 lbs / 4,340 lbs
Tongue Weight	1,150 lbs / 1,200 lbs
Center Deck / Wing Deck	10 gauge
Side Skirt Thickness	.25"
Side Skirt Depth	13"
Transport Width	96"
Stump Jumper	Round
Flex	90° up, 22° down
Driveline Rating	CAT 6 CV main / CAT 4 wing
Splitter Gearbox Rating	210 hp
Wings Gearbox Rating	200 hp
Output Shaft Size	2" dia
Gearbox Warranty	6 years
Options	<ul style="list-style-type: none"> <li>• double row chain shielding</li> <li>• dual wheels</li> <li>• LED lights</li> </ul>

\* Single-wing version



# ROTARY CUTTERS | 15' Batwing®

Maintain grassy fields, pastures, waterways, parks and airports; cut heavier brush and trees up to 4.5 inches in diameter.



## TRACTOR PTO HP RANGE: 55 - 275 HP

**BW10.60** | 10.5-foot flex-wing rotary cutter  
**BW15.60** | 15-foot flex-wing rotary cutter

The BW15.60 easily powers through tall brush and trees up to 4 inches in diameter.

## TRACTOR PTO HP RANGE: 65 - 300 HP

**BW10.70** | 10.5-foot flex-wing rotary cutter  
**BW15.70** | 15-foot flex-wing rotary cutter

The rugged BW15.70 can tame the harshest conditions – heavy brush and trees up to 4.5 inches in diameter. Ideal for professional and contract cutting.

## BATWING®

### SLOPED DECK

Smooth and sloped seven-gauge steel decks shed water and debris; deck design and baffling helps recut material, ensuring a finer shred and more even distribution

### GEARBOXES

Massive, heavy-duty gearboxes deliver more cutting power and performance with a six-year limited warranty



**BW15.60**  
Shown with standard chain shielding



# ROTARY CUTTERS | 15' Batwing®

MODEL	BW10.60* / BW15.60	BW10.70* / BW15.70
Tractor PTO HP	55-275	65-300
Cutting Height	2" - 15"	
Cut Capacity	4" dia	4.5" dia
Cutting Width	126" / 180"	
Blade Tip Speed	15,700 fpm at 540 rpm 16,000 fpm at 1000 rpm	
Weight	4,400 lbs / 4,600 lbs	5,500 lbs / 5,290 lbs
Tongue Weight	1,350 lbs	1,490 lbs
Center Deck / Wing Deck	7 gauge	1/4"
Side Skirt Thickness	.25"	
Side Skirt Depth	13"	
Transport Width	96"	
Stump Jumper	Round	
Flex	90° up / 22° down	
Driveline Rating	CAT 6 CV main CAT 4 wing	CAT 6 CV main CAT 5 wing
Splitter Gearbox Rating	275 hp	
Wings Gearbox Rating	225 hp	
Output Shaft Size	3" dia	
Gearbox Warranty	6 years	
Options	<ul style="list-style-type: none"> <li>• double row chain shielding</li> <li>• dual wheels</li> <li>• LED lights</li> <li>• shredding kit</li> <li>• deck ring</li> <li>• spring axle</li> <li>• full walking tandem</li> </ul>	<ul style="list-style-type: none"> <li>• double row chain shielding</li> <li>• dual wheels</li> <li>• LED lights</li> <li>• shredding kit</li> <li>• deck ring</li> <li>• spring axle</li> <li>• full walking tandem</li> </ul>

\* Single-wing version

- New patent-pending driveline lift assistance system makes it easy to hook up
- Rounded wings easily maneuver around obstacles and slice through tall brush while the curved leading edge shrugs off impact
- New gearbox seal technology reduces leaks and downtime and is backed by our six-year gearbox warranty, which includes the seals
- A steel tube around the perimeter absorbs shock and creates a stronger, longer-lasting machine
- Chain shielding is integrated with the frame to prevent damage
- Greasable Quick-Change blade pins are easy to remove

## PLUS,

- Beefy, heavy-duty skid shoes prevent gouging and protect the deck
- Strategically placed, welded baffles cut and distribute debris evenly
- Center and wing decks feature high-strength 7 gauge steel (.60) or .25 inch thick steel (.70) for added durability
- The side skirt is 13 inches deep and made of .25 inch thick steel for greater material capacity and the strength to manage it
- For added toughness in extreme conditions, the .60 and .70 models have a 3-inch gearbox output shaft and optional deck ring
- Other options include LED lights, double row chain shielding, dual wheels and, for the .60 and .70 models, a shredding kit for added versatility

## SKID SHOES

Bolt-on, heavy-duty skid shoes with an "approachable" leading edge reduce sod damage when turning



## BW15.70

Shown with standard chain shielding



# ROTARY CUTTERS | 20' Batwing®

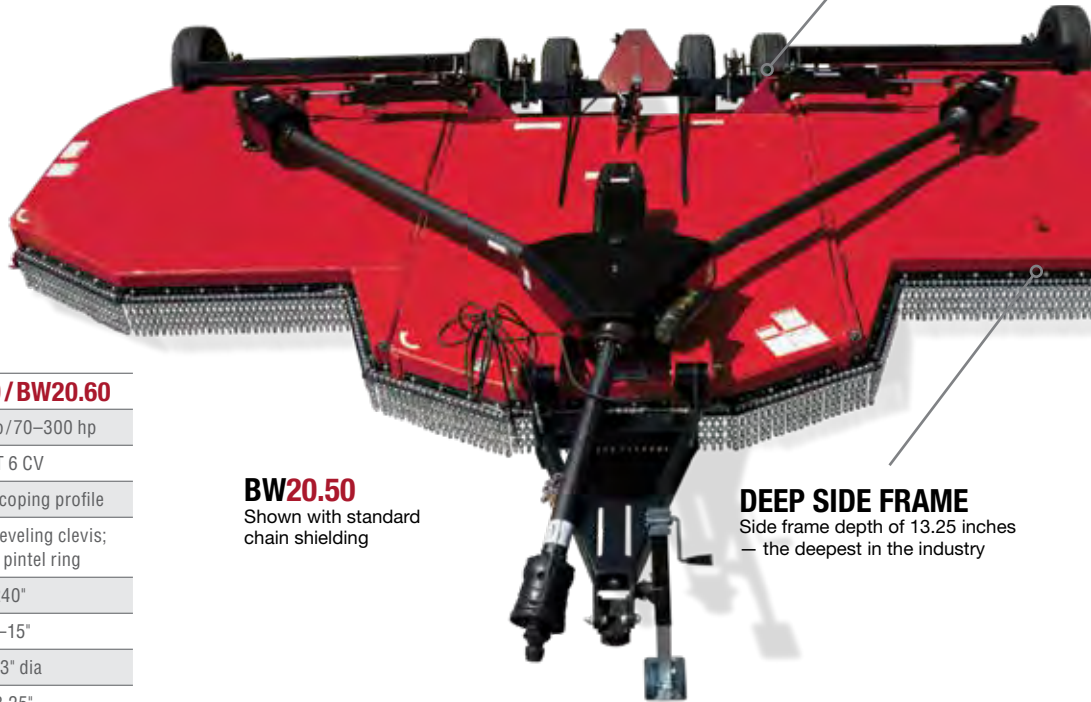
## GREASABLE PIVOT PINS

Greasable pivot points are located on turnbuckle and axle arms to increase durability and reduce wear



## QUICK-CHANGE GREASABLE BLADE SYSTEM

Woods' exclusive Quick-Change blade system allows for easy changing of blades from the top of the deck



### BW20.50

Shown with standard chain shielding

### DEEP SIDE FRAME

Side frame depth of 13.25 inches — the deepest in the industry

MODEL	BW20.50 / BW20.60
Tractor PTO HP Range	70–200 hp / 70–300 hp
Main Driveline	CAT 6 CV
Wing Driveline	CAT 4 telescoping profile
Tractor Hitch	clevis/self-leveling clevis; optional pintel ring
Cutting Swath	240"
Cutting Height	2–15"
Cutting Capacity	2"/3" dia
Side Frame Depth	13.25"
Tractor PTO rpm	540 or 1,000
Transport Width	123"
Overall Width x Length	250" x 198"
Deck Type	smooth, sloped
Deck Thickness	.135"
Side Frame Thickness	.25"
Hinges/Hinge Rod Diameter	1"
Weight	6,510 / 6,600 lbs
Number of Gearcases	4
Vertical Shaft Size	2"/2.38"
Splitter/Wing HP	250 / 120 / 250 / 205 hp
Blade Thickness	.5"
Blade Width	4"
Blade Type	hi-lift, flat or shredder
Blade Overlap	6"
Blade Tip Speed at 540 rpm	15,450 fpm
Blade Tip Speed at 1,000 rpm	16,300 fpm
Material Flow System	standard baffles
Stump Jumper Type	standard round-welded
Hydraulics Wing Flex	90° up, 22° down
Suspension	standard spring suspension or tandem spring arms
Wheel Type	15" rims; 21" laminated; 24" new Ag; or 29" used aircraft
Cutting Area Shielding	single or double chain
Gearbox Warranty (limited)	6 years

## TRACTOR PTO HP RANGE: 70 - 200 HP

### BW20.50 | 20-foot Dual-wing Cutter

- Main driveline: CAT 6 CV
- Cuts brush up to 2 inches in diameter
- Walking tandem axle available

## TRACTOR PTO HP RANGE: 70 - 300 HP

### BW20.60 | 20-foot Dual-wing Cutter

- Maintain driveline: CAT 6 CV
- Cuts brush up to 3 inches in diameter
- Side frame depth of 13.25 inches — the deepest in the industry
- Optional shredding kit

\* **NOTE:** All Batwing models pass all applicable safety standards for thrown object without chain shielding. However, if these units will be used in areas where the possibility of thrown objects could be hazardous to persons or property, it is strongly recommended that chain shielding be used for extra protection.





# ROTARY CUTTERS | 20' Batwing®

**TRACTOR PTO HP RANGE: 70 - 300 HP**

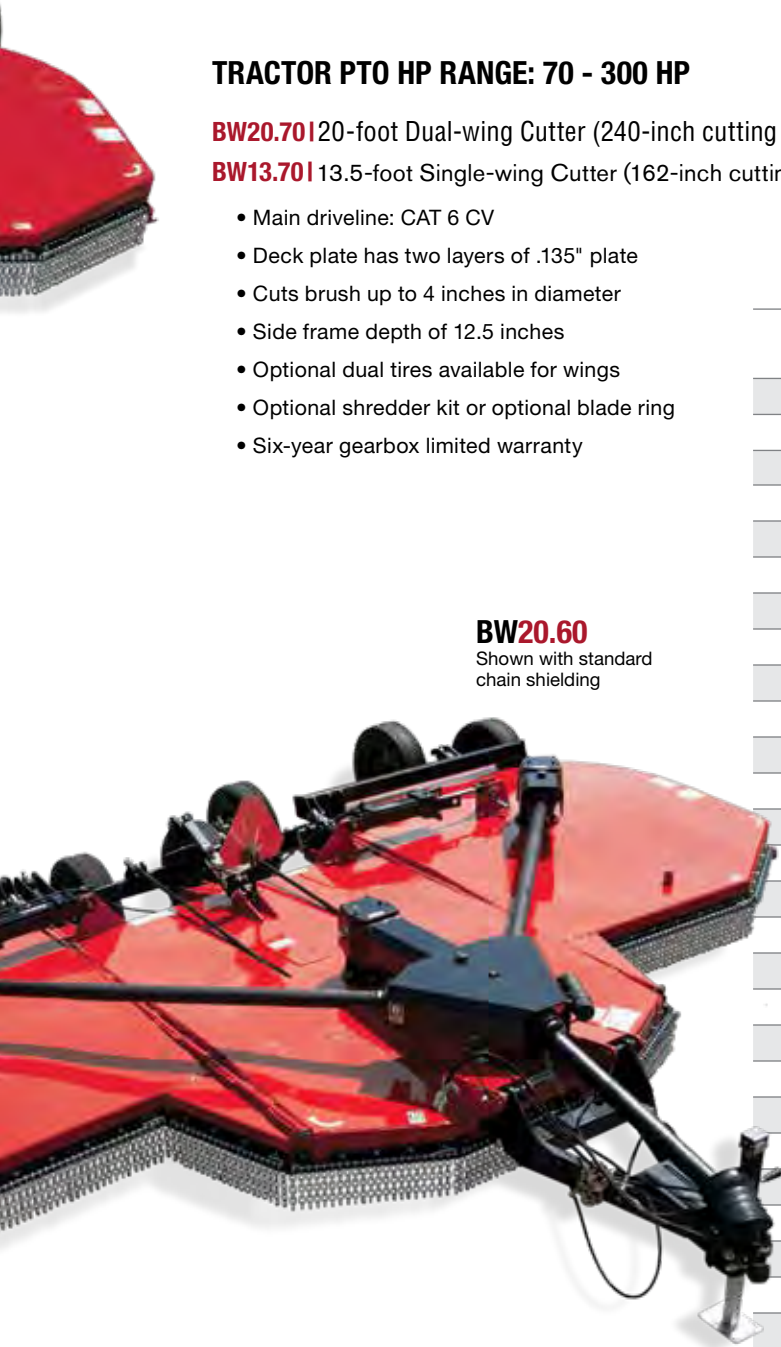
**BW20.70** | 20-foot Dual-wing Cutter (240-inch cutting swath)

**BW13.70** | 13.5-foot Single-wing Cutter (162-inch cutting swath)

- Main driveline: CAT 6 CV
- Deck plate has two layers of .135" plate
- Cuts brush up to 4 inches in diameter
- Side frame depth of 12.5 inches
- Optional dual tires available for wings
- Optional shredder kit or optional blade ring
- Six-year gearbox limited warranty

**BW20.60**

Shown with standard chain shielding



MODEL	BW20.70	BW13.70 (SINGLE-WING)
Tractor PTO HP Range	70–300 hp	
Main Driveline	CAT 6 CV	
Wing Driveline	CAT 5	
Tractor Hitch	self-leveling swivel clevis; optional pintle ring	
Cutting Swath	240"	162"
Cutting Height	2–15"	
Cutting Capacity	4" dia	
Side Frame Depth	12.5"	
Tractor PTO rpm	540 or 1,000	
Transport Width	123"	100"
Overall Width x Length	250" x 198"	171" x 198"
Deck Type	smooth, sloped double-deck	
Deck Thickness	.135"/.135" upper/lower	
Side Frame Thickness	.25"	
Hinges/Hinge Rod Diameter	1" full length	
Weight	7,740 lbs	8,500 lbs
Number of Gear cases	4	3
Vertical Shaft Size	2.38"	
Splitter Wing HP	250/210 hp	
Blade Thickness	.5"	
Blade Width	4"	
Blade Type	hi-lift, flat or shredder kit	hi-lift, flat
Blade Overlap	6"	
Blade Tip Speed at 540 rpm	15,450 fpm	
Blade Tip Speed at 1,000 rpm	16,650 fpm	
Material Flow System	standard baffles	
Stump Jumper Type	standard round-welded	
Hydraulics Wing Flex	90° up, 22° down	left or right wing – 90° up, 22° down
Suspension	standard spring suspension or optional tandem spring arms	
Wheel Type	15" rims; 21" laminated; 24" new Ag; or 29" used aircraft	
Cutting Area Shielding	single or double chain	
Gearbox Warranty (limited)	6 years	



# ROTARY CUTTERS | **Single-spindle**



# RC60.20

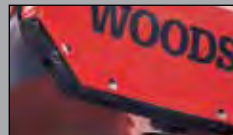
## WOODS RC-SERIES ROTARY CUTTERS



Strong, fabricated tail wheel assembly with solid, laminated tire



Breaklink allows cutter to float and follow terrain for better cut quality



Optional bolt-on replaceable skid shoes for longer wear



Optional chain shielding for added protection from thrown objects





# AN ECONOMICAL ROTARY CUTTER FOR MAINTAINING GRASSY PASTURES, OPEN FIELDS AND RECREATIONAL TRAILS.

RC-Series Single-spindle Rotary Cutters are the ideal attachment to get the most from your compact or sub-compact tractor. Designed for durability and built with high-strength steel, we confidently stand behind this product with a three-year gearbox warranty.

## TRACTOR PTO HP RANGE: 15 - 50 HP

**RC42.20** | 3.5-ft     **RC48.20** | 4-ft  
**RC60.20** | 5-ft     **RC72.20** | 6-ft

- Four cutting widths to fit the size of your job
- Unique smooth, sloped decks are easy to clean and reduce build-up of water and debris
- Stump jumpers are standard on all models for added driveline protection
- High-strength steel and quality parts provide dependable service year after year
- Three-year gearbox warranty is one of the best in the industry

MODEL
Tractor PTO HP
Hitch Category
Cutting Width
Cutting Height Range
Cutting Capacity
Gearbox Horsepower
Blade Tip Speed
Deck Side Depth
Weight
Blade Dimensions
Blade Carrier
Tail Wheel
Driveline Protection
Frame & Deck Support
Tractor PTO Speed
Quick-Hitch Ready
Cutting Area Shielding
Warranty (cutter/gearbox)

RC42.20	RC48.20	RC60.20	RC72.20
15 - 40 hp		20 - 50 hp	
CAT 1			
3.5'	4'	5'	6'
2" - 9"			
1" dia			
50 hp			
11,460 fpm	13,100 fpm	13,620 fpm	14,340 fpm
7"			
360 lbs	410 lbs	494 lbs	575 lbs
.5" x 3"			
oval stump jumper			
4" x 16" laminated			
shear-bolt or slip-clutch			
3/8" rails			
540 rpm			
yes			
belt standard / chain shielding optional			
1 year / 3 years			



### HEAVY-DUTY TAIL WHEEL ASSEMBLY

Formed, reinforced A-frame resists bending when backing into immovable objects

### RC72.20

Shown with optional chain shielding

# ROTARY CUTTERS | **BrushBull™ Single-spindle**

## RUGGED AND RELIABLE, THE WOODS BRUSHBULL™ IS BUILT TO TACKLE YOUR TOUGHEST BRUSH CUTTING CHORES.

Our most popular models are ideal for clearing brush along fence rows, maintaining miles of interstate highways, and cutting overgrown grass, weeds and brush wherever you need to tame the land.



### START AT THE BEGINNING

Since 1946, Woods has grown to become the undisputed cutter expert. This legacy began with development of the first tractor-mounted rotary cutter and continues today with unmatched product innovations such as greasable Quick-change blade pins and a smooth, sloped deck that sheds debris.

And yet, we still go back to customers like you before redesigning a product. Erasing preconceptions, we listen – really listen – to what you need and value. Then, Woods Engineers go to work creating a product that you will love to use.

Finally, we make it just a bit more durable, kick up the performance and add style, because that's what people expect from Woods.

Newly redesigned, the top-selling Woods BrushBull™ is easy to use and maintain, delivers superior cut quality and performance, and looks good doing it. Year after year after year.





**NEW**

2020

**TRACTOR PTO HP RANGE: 15 - 90 HP**

**BB48.30** | 48-inch

**BB60.30** | 60-inch

**BB72.30** | 72-inch

- Three-point hitch: CAT 1.
- Cuts brush up to two inches in diameter and nine inches tall.
- Six-year limited gearbox warranty includes the seals.
- A deep deck, with half-inch by four-inch blades and rear baffling work together to evenly cut and distribute large amounts of material, for a superior cut quality.



**BB72.30**

Shown with optional chain shielding

**NEW**

2020

**TRACTOR PTO HP RANGE: 35 - 90 HP**

**BB84.40** | 84-inch

- Three-point hitch: CAT 1 & 2.
- Cuts brush up to two inches in diameter and twelve inches tall.
- Six-year limited gearbox warranty includes the seals.
- Eleven-inch deep deck, with half-inch by four-inch blades and rear baffling work together to evenly cut and distribute large amounts of material, for a superior cut quality.
- Choose an optional dual tailwheel or check chain, for adjusting the mowing height.



MODEL
Tractor PTO HP
Hitch Category/Type
Cutting Width (inches)
Total Weight (lbs)
Cutting Capacity Diameter (inches)
Cutting Height (inches)
Transport Width (inches)
Overall Length (inches)
Tractor PTO Speed (rpm)
Quick-hitch Compatible
Rear Bumper
Frame & Deck Support
Deck Construction
Skid Shoes
Deck Thickness
Side Frame Thickness (inches)
Side Frame Depth (inches)
Gearbox Warranty
Gearbox HP
Output Shaft Diameter (inches)
Blade Tip Speed
Blade Dimensions (inches)
Blade Pin Diameter (inches)
Blade Carrier
Driveline Protection
Options

BB48.30	BB60.30	BB72.30	BB84.40
15-50 hp	25-50 hp	30-75 hp	35-90 hp
CAT 1 clevis			CAT 1 & 2 clevis
48"	60"	72"	84"
590	672	811	1,041
2"	2"	2"	2"
1" - 9"			2" - 12"
55"	67"	79"	91"
86"	99"	111"	124"
540			540
yes			yes
Z-channel			Z-channel
3" x 3" tube			3" x 3" tube
smooth top, sloped			smooth top, sloped
full-length, replaceable			full-length, replaceable
12 ga (.105")		11 ga (.120")	11 ga (.120")
10 ga (.135")			10 ga (.135")
10.5"			11.6"
6-year limited			6-year limited
65 hp	65 hp	75 hp	90 hp
1.57"			2"
13,000 fpm	14,335 fpm	14,963 fpm	15,086 fpm
.50" x 4"			.50" x 4"
1.50"			1.50"
oval stump jumper			oval stump jumper
slip-clutch			slip-clutch
check chain			check chain, dual tailwheel

# ROTARY CUTTERS | **BrushBull™ Single-spindle**

## **SUPERIOR DESIGN**

Customers like you told us what's important in a single-spindle cutter. Then, we redesigned our premium BrushBull cutter to meet – and exceed – your needs. An adjustable drive lift hanger and Quick-hitch compatibility make it easy to attach. A large access window on top of the deck and our exclusive, greasable Quick-change blade pins make blade changes easy, even in the field. But, you're not sacrificing performance for ease. A deep deck, large half-inch by four-inch blade and welded baffle work together, creating a strong suction that lifts, then evenly cuts and distributes large amounts of material.

## **SUPERIOR DURABILITY**

Choose a BrushBull for the hours of testing in extreme conditions, and a Z-shaped, high-strength steel bumper that's twice as thick as competitive models, for added durability when backing over tough brush. Or, choose Woods for the advanced gearbox seal technology that's so good our 6-year limited warranty includes the seals. That's worry-free reliability.

## **SUPERIOR STYLE**

Woods was the first to introduce a smooth, sloped deck that sheds debris. And, raising components off the deck makes clean-up easy. Front corners angle back to give operators more room between the tractor tire and cutter.



**SUPERIOR DESIGN**  
**SUPERIOR DURABILITY**  
**SUPERIOR STYLE**

Adjustable driveline hanger makes it easier to attach, and is standard on all models.

Corners angle back to give operators more room between the tractor tire and cutter.

Full-length, bolt-on skid shoes protect the deck and are easy to change. Adjust the height on heavy-duty models.

Smooth, sloped deck sheds debris and is easy to clean.





# ROTARY CUTTERS | **BrushBull™ Single-spindle**



New, advanced gearbox seal technology is designed for harsh conditions, reduces leaks and downtime and is backed by our six-year gearbox warranty, which includes the seals.

Greasable Quick-change blade pins are easy to maintain and remove.



A large blade access hole makes it easy to reach our exclusive Quick-change pins and quickly change the blade from the top of the deck.



**BB60.30**  
Shown with optional chain shielding

High-strength steel bumper is 2-times thicker than competitive models, with a Z-channel frame for added durability when backing over tough brush.

## **SUPERIOR DESIGN, DURABILITY AND STYLE UNDER THE DECK, TOO!**



Rear baffle, standard on all models, concentrates the airflow and ensures cut material is distributed evenly.

The large 1/2-inch by 4-inch blades and extra deep deck precisely cut large amounts of material.

A beefier, heavy-duty crossbar and 1/4-inch steel stump jumper protect the undercarriage from extreme conditions.

The frame is built with full-length 3-inch by 3-inch tubes and channels for extra durability.

# ROTARY CUTTERS | **BrushBull™ Single-spindle**

**NEW**

**2020**

## TRACTOR PTO HP RANGE: 30 - 120 HP

**BB60.50** | 60-inch

**BB72.50** | 72-inch

**BB84.50** | 84-inch

- Three-point hitch: CAT 1 & 2, CAT 2 & 3.
- Cuts brush up to three inches in diameter and twelve inches tall.
- Six-year limited gearbox warranty includes the seals.
- High-strength 10 gauge steel deck manufactured for tough conditions.
- A deep deck, with half-inch by four-inch blades and rear baffling work together to evenly cut and distribute large amounts of material, for a superior cut quality.
- Options include round stump jumper, check chains for height adjustments, and dual tail wheel on model BB84.50.

MODEL	BB60.50	BB72.50	BB84.50
Tractor PTO HP	30-150 hp		40-150 hp
Hitch Category/Type	CAT 1 & 2 clevis		CAT 2 & 3 clevis
Cutting Width (inches)	60"	72"	84"
Total Weight (lbs)	975	1125	1335
Cutting Capacity Diameter (inches)	3"		
Cutting Height (inches)	2" - 12"		
Transport Width (inches)	67.3"	79.3"	91.3"
Overall Length (inches)	100v	112"	124"
Tractor PTO Speed (rpm)	540		
Quick-hitch Compatible	yes		
Rear Bumper	Z-channel		
Frame & Deck Support	3" x 3" tube		
Deck Construction	smooth top, sloped		
Skid Shoes	full-length, replaceable		
Deck Thickness	10 ga (.135")		
Side Frame Thickness (inches)	0.25"		
Side Frame Depth (inches)	12.7"		
Gearbox Warranty	6-year limited		
Gearbox HP	150 hp		
Output Shaft Diameter (inches)	2"		
Blade Tip Speed	15,525 fpm	15,900 fpm	16,000 fpm
Blade Dimensions (inches)	.50" x 4"		
Blade Pin Diameter (inches)	1.5"		
Blade Carrier	diamond stump jumper, optional round		
Driveline Protection	slip-clutch		
Options	check chains, round stump jumper	check chains, round stump jumper, dual tailwheel	



**BB72.50**  
BrushBull frame

## COUNT ON THE INTEGRITY OF THE BRUSHBULL FRAME

- Stress points are tied to full-length 3-inch by 3-inch tubes, not on the deck plate, for added stability.
- A full frame design means strength and durability are built into every BrushBull from the frame out.
- The rear bumper is a Z-shaped channel that's two-times thicker than competitive models, adding structural integrity when backing over brush.



# ROTARY CUTTERS | **BrushBull™ Single-spindle**

Put our products to the test in your own backyard. Rugged, dependable and productive – Woods rotary cutters are designed for the extremes of real world use.

**NEW**  
2020

## TRACTOR PTO HP RANGE: 40 - 200 HP

**BB60.60** | 60-inch

**BB72.60** | 72-inch

**BB84.60** | 84-inch

- Three-point hitch: CAT 1 & 2, CAT 2 & 3.
- Cuts brush and saplings up to four inches in diameter and twelve inches tall.
- Six-year limited gearbox warranty includes the seals.
- High-strength 10 gauge steel deck is made for extreme conditions.
- Deck is 12.7 inches deep, with half-inch by four-inch blades, and rear baffling that work together to evenly cut and distribute large amounts of material, for a superior cut quality.
- Options include round stump jumper, check chains for height adjustments, and dual tail wheel on model BB84.60.

MODEL	BB60.60	BB72.60	BB84.60
Tractor PTO HP	40-150 hp	50-210 hp	65-210 hp
Hitch Category/Type	CAT 1 & 2 clevis		CAT 2 & 3 clevis
Cutting Width (inches)	60"	72"	84"
Total Weight (lbs)	1045"	1210"	1440"
Cutting Capacity Diameter (inches)	4"		
Cutting Height (inches)	2" - 12"		
Transport Width (inches)	67.3"	79.3"	91.3"
Overall Length (inches)	100"	112"	124"
Tractor PTO Speed (rpm)	540		
Quick-hitch Compatible	yes		
Rear Bumper	Z-channel		
Frame & Deck Support	3" x 3" tube		
Deck Construction	smooth top, sloped		
Skid Shoes	adjustable height full-length, replaceable		
Deck Thickness	10 ga (.135")		
Side Frame Thickness (inches)	0.25"		
Side Frame Depth (inches)	12.7"		
Gearbox Warranty	6-year limited		
Gearbox HP	210 hp		
Output Shaft Diameter (inches)	3"		
Blade Tip Speed	13,570 fpm	13,945 fpm	14,250 fpm
Blade Dimensions (inches)	.50" x 4"		
Blade Pin Diameter (inches)	1.5"		
Blade Carrier	diamond stump jumper, optional round		
Driveline Protection	slip-clutch		
Options	check chains, round stump jumper	check chains, round stump jumper, dual tailwheel	



**BB72.60**  
Shown with standard chain shielding

# ROTARY CUTTERS | Ditch Bank



## TRACTOR PTO HP RANGE: 60 - 150 HP

**DBH5.31** | 60-inch

**DBH6.31** | 72-inch

- Highest-rated cutting horsepower in its class – full 40 hp at cutting head
- Only 6-foot model on the market – Choose 5 foot or 6 foot model
- Narrow 119" transport width – no frame overhang, even on 6 foot units
- Fixed counter weight position does not extend beyond width of road lane
- Cuts at almost any angle with +/- 90° flex (90° up, 90° down)
- Optional hydraulic cooling system for extreme conditions
- Cuts vegetation up to 2 inches in diameter
- Quick-Change blade system allows easy blade changes from top of the deck
- Quick-hitch ready

### DBH6.31

Shown with optional chain shielding

MODEL	DBH5.31	DBH6.31
Tractor PTO HP Range	60 - 150 hp	
Tractor PTO Speed	540 / 1,000 rpm	
Cutting Width	60"	72"
Cutting Capacity	2" dia	
Cutting Height	2" - 10"	
Transport Width	119"	
Side Shift	30"	
Reach: Tractor Center to Outside of Cutter	158"	168"
Overall Length	72"	84"
Flex Range Angles	90° up, 90° down	
Approximate Weight (without hyd oil)	2,000 lbs	2,300 lbs
Tractor Weight Min.	6,000 lbs	
3-point Hitch Lift Capacity Min.	2,500 lbs	
Max HP at Cutting Head	40 hp	
Hitch	CAT 2/3, CAT 2 & 3 QH	
Blades	1/2" x 4"	
Blade Tip Speed at 540 rpm	15,800 fpm	18,900 fpm
Blade Tip Speed at 1000 rpm	16,000 fpm	17,700 fpm
Cutter Deck Thickness	0.135" (10 gauge)	
Deck Side Depth	9.4"	9.5"
Side Frame Thickness	0.135"	
Shielding	chain standard	
Gauge Wheels	optional	
Tail Wheel	optional - frame mounted	
Cooler	optional	
Hydraulic Tank Capacity	35-Gallon	

The all-new and improved hydraulic-drive Woods Ditch Bank Rotary Cutter is a rugged and versatile tool, precision-engineered for maintaining ditches, roadways, ponds and waterways.



# ROTARY CUTTERS | Multi-spindle

Durable and easy-to-use cutters for both brush cutting and crop shredding.



**DS10.50**

## EASY TO USE

The proven leader in the cutter business delivers a full line of easy-to-use standard- and heavy-duty rotary cutters loaded with features for every application.

- You'll cross steep inclines and ditches with ease as the floating hitch keeps the weight off the cutter
- Switch cutting blades quickly and you'll be up and running in no time due to the large blade access window and the exclusive Woods Quick-Change blade pin system
- Change over to row crop applications in an instant with quick-adjust variable wheel spacing

## HARD TO BREAK

You'll rely on your Woods rotary cutter for years because we still manufacture them with the same dependable quality that we've delivered since 1946.

- Woods gearboxes feature heat-treated, alloy steel gears that stand up to the demands of rotary cutting
- Sloped-top decks shed water and debris to prevent rust and corrosion and wrap around a heavy steel super-structure\*
- Spring cushion axles reduce stress spikes to keep your Woods rotary cutter delivering high-performance cutting
- Factory-balanced stump jumpers are a standard feature that help you avoid hazards and save blades from wear and tear\*\*

\* N/A on belt-driven models

\*\* N/A on DS8.30 and DS10.40

# ROTARY CUTTERS | Multi-spindle

Durable and easy-to-use cutters for both brush cutting and crop shredding.

## 30- AND 40- SERIES DUAL-SPINDLES

### TRACTOR PTO HP RANGE: 35 - 75 HP

**DS8.30** | 96-inch, pull-type

**MDS8.30** | 96-inch, 3-point mounted

### TRACTOR PTO HP RANGE: 40 - 120 HP

**DS10.40** | 120-inch, pull-type

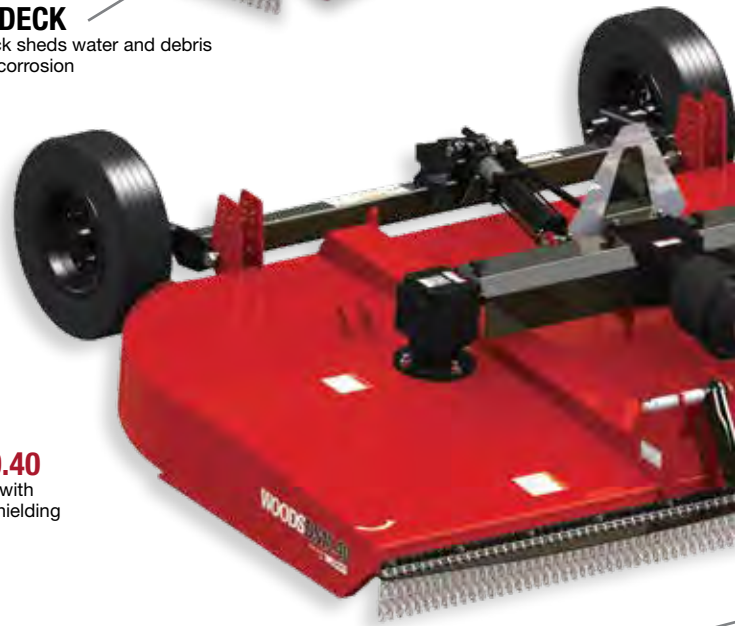
**MDS10.40** | 120-inch, 3-point mounted

- Cuts light brush up to 1.5-inches (30-Series) to 2-inches (40-Series) in diameter
- Six-year limited gearbox warranty



**DS8.30**  
Shown with chain shielding

**SLOPED TOP DECK**  
Smooth, sloped deck sheds water and debris to prevent rust and corrosion



**DS10.40**  
Shown with chain shielding

**CV DRIVE**  
Less maintenance, smoother operation



# ROTARY CUTTERS | Multi-spindle



**DS8.30**  
Shown with chain shielding



MODEL	<b>DS8.30 (pull-type) MDS8.30 (three-point mounted)</b>	<b>DS10.40 (pull-type) MDS10.40 (three-point mounted)</b>
Minimum Tractor PTO HP	35 hp pull-type, 45 hp mounted	40 hp pull-type, 60 hp mounted
Hitch Category / Type	pull-type: pivoting clevis mounted: CAT 1 or 2 / clevis	pull-type: pivoting clevis mounted: CAT 2 or 3 / clevis
Cutting Width	96"	120"
Cutting Height Range	2-12"	
Cutting Capacity	1.5" dia	2" dia
Gearbox HP Rating	100 hp center, 75 hp spindle	120 hp center, 90 hp spindle
Blade Tip Speed	15,200 fpm	16,700 fpm
Deck Side Depth	10"	
Deck Thickness	10 ga. (135")	
Overall Width	100"	124"
Overall Length	pull-type: 142" (25" tires) mounted: 96"	pull-type: 155" (25" tires) mounted: 110"
Approximate Weight	pull-type: 1,467 lbs mounted: 1,213 lbs	pull-type: 1,847 lbs mounted: 1,576 lbs
Blade Dimensions	.5" x 4"	
Wheel Selection	laminated, severe duty new ag, foam filled new ag, 15" rims	
Optional Dual Wheels - Pull-Type	no	
Quick-Hitch Ready	yes	
Gearbox Warranty	6 years	

# ROTARY CUTTERS | Multi-spindle

## 50- SERIES DUAL-SPINDLES

**TRACTOR PTO HP RANGE: 40 - 200 HP**

**DS8.50** | 96-inch, pull-type

**MDS8.50** | 96-inch, 3-point mounted

**DS10.50** | 120-inch, pull-type

**MDS10.50** | 120-inch, 3-point mounted

- Cuts brush up to 3 inches in diameter
- Variable wheel spacing
- Six-year limited gearbox warranty
- New gearbox seal technology reduces leaks and downtime and is backed by our six-year gearbox warranty, which includes the seals

### TUBULAR FRONT FRAME

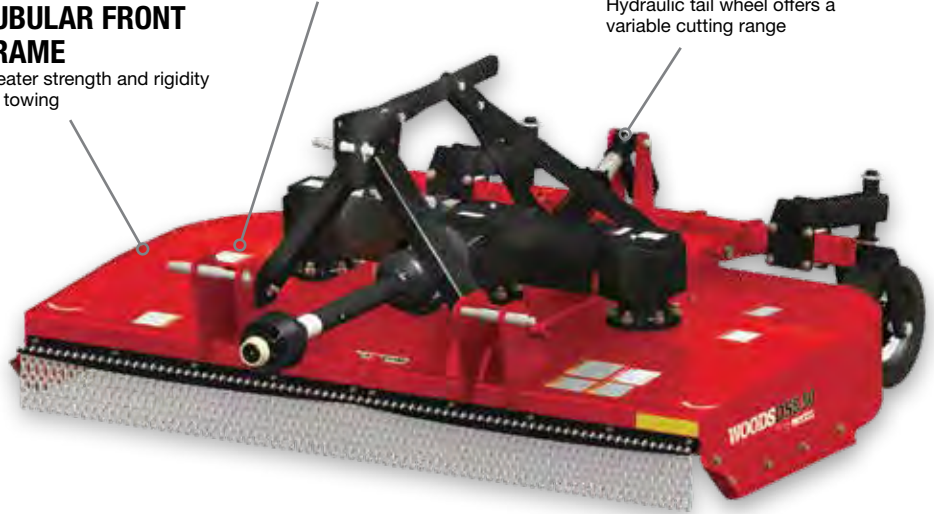
Greater strength and rigidity for towing

### QUICK-CHANGE BLADE PINS

Easy to replace Quick-Change blade pins under the deck reduce downtime

### HYDRAULICALLY ADJUSTABLE TAIL WHEEL

Hydraulic tail wheel offers a variable cutting range



### MDS8.50

Shown with chain shielding

MODEL	DS8.50 (pull-type) MDS8.50 (three-point mounted)	DS10.50 (pull-type) MDS10.50 (three-point mounted)
Minimum Tractor PTO HP	40 hp pull-type 55 hp mounted	50 hp pull, 65 hp mounted
Hitch Category / Type	pull-type: pivoting clevis mounted: CAT 2 or 3 / clevis	
Cutting Width	96"	120"
Cutting Height Range	2-12"	
Cutting Capacity	3" dia	
Gearbox HP Rating	205 hp center, 160 hp spindle	
Blade Tip Speed	540 rpm / 14,886 fpm	540 rpm / 15,974 fpm, 1000 rpm / 16,232 fpm (MDS)
Deck Side Depth	13"	
Deck Thickness	10 ga. (135")	
Overall Width	103"	127"
Overall Length	pull-type: 150" (25" tires) mounted: 99"	pull-type: 162" mounted: 111"
Approximate Weight	pull-type: 2,238 lbs mounted: 2,069 lbs	pull-type: 2,537 lbs mounted: 2,373 lbs
Blade Dimensions	.5" x 4"	
Wheel Selection	laminated, severe duty new ag, foam filled new ag, 15" rims, used aircraft	
Optional Dual Wheels - Pull-Type	yes	
Quick-Hitch Ready	yes	
Gearbox Warranty	6 years	



# ROTARY CUTTERS | **Offset Dual-spindle**

Woods' offset models reach far under canopies on either side of the tractor.



**DS08.50**

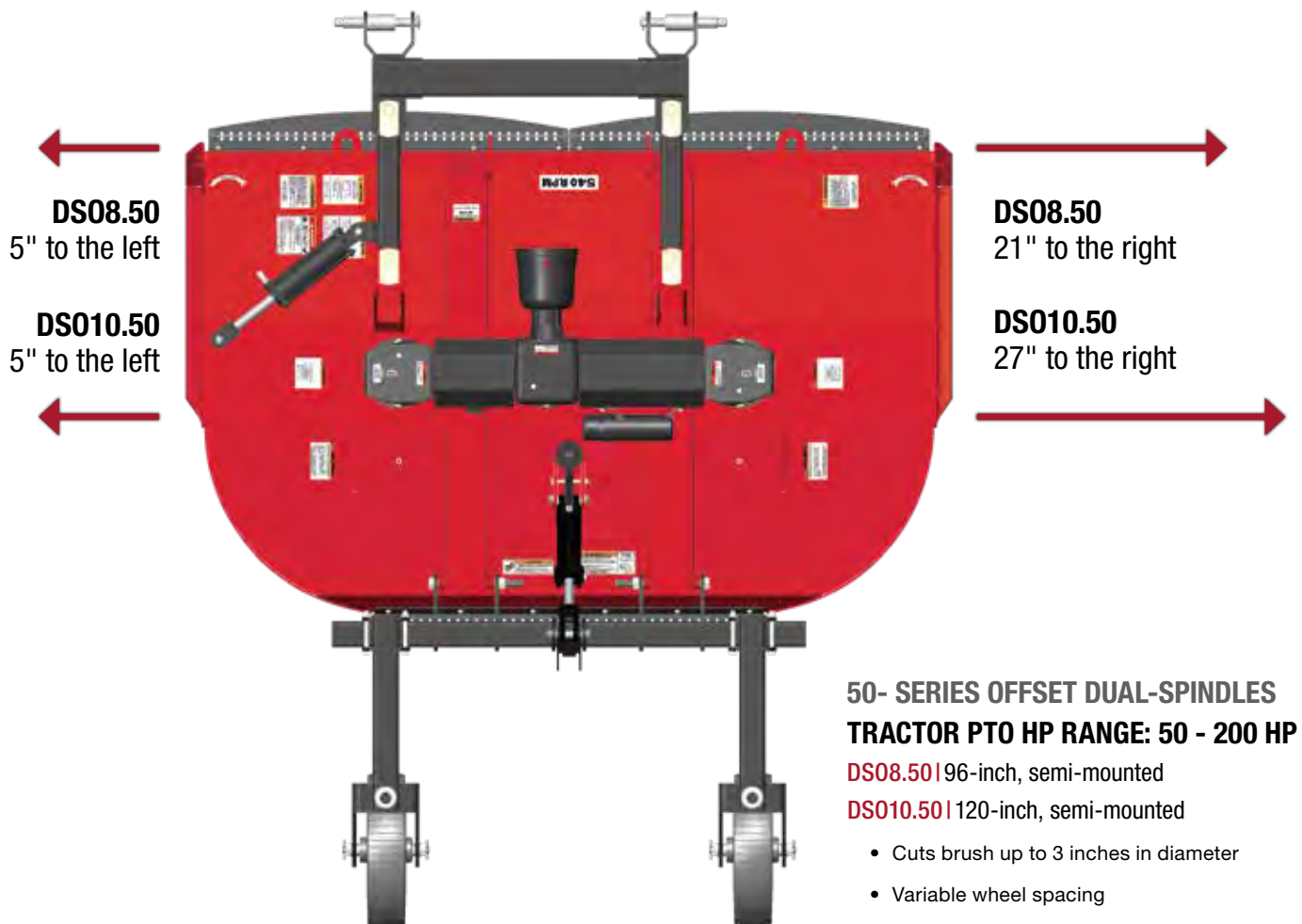
Shown with chain shielding

MODEL	DS08.50	DS010.50
Minimum Tractor PTO HP	semi-mounted: 40 hp	semi-mounted: 50 hp
Hitch Category/Type	CAT 2 or 3 / clevis	
Hydraulic Variable Offset	21" to the right, 5" to the left	27" to the right, 5" to the left
Cutting Width	96"	120"
Cutting Height Range	2-12"	
Cutting Capacity	3" dia	
Gearbox HP Rating	205 hp center, 160 hp blade spindle	205 hp splitter; 160 hp blade spindle
Gearbox Warranty	6 years	
Blade Tip Speed	540 rpm / 14,886 fpm;	540 rpm / 15,974 fpm;
Deck Side Depth	13"	
Deck Thickness	10 ga. (.135")	
Overall Width	103"	127"
Overall Length	122"	128"
Approximate Weight	2,335 lbs	2,510 lbs
Blade Dimensions	.5" x 4"	
Wheel Selection	21" laminated	

# ROTARY CUTTERS | Offset Dual-spindle

Woods' rugged and powerful 50-Series offset models are ideal for orchards, tree-lined fields and any setting with overhangs.

## HYDRAULIC VARIABLE OFFSET



### 50- SERIES OFFSET DUAL-SPINDLES TRACTOR PTO HP RANGE: 50 - 200 HP

**DS08.50** | 96-inch, semi-mounted

**DS010.50** | 120-inch, semi-mounted

- Cuts brush up to 3 inches in diameter
- Variable wheel spacing
- DS08.50 hydraulic variable offset 21 inches to the right or 5 inches left
- DS010.50 hydraulic variable offset 27 inches to the right or 5 inches left
- Six-year limited gearbox warranty
- New gearbox seal technology reduces leaks and downtime and is backed by our six-year gearbox warranty, which includes the seals







# FINISH MOWERS | Rear Discharge & Turf Batwing®



## PRD 7200

EVERY REAR-MOUNT MODEL IN THE WOODS LINE-UP OFFERS THE BEST FEATURES WITHIN OUR FULL LINE OF FINISH MOWERS.

- Designed for 15 - 75 horsepower tractors
- High performance gearboxes require less maintenance
- Floating lower hitch points allow the mower to follow uneven terrain
- Industrial quality, reinforced blade spindle is designed for years of service
- Available in a range of cutting widths from 4.5 to 7.5 feet



# DISCOVER THE PREMIUM CUT QUALITY THAT MAKES WOODS THE UNDISPUTED LEADER IN FINISH MOWERS.

## DESIGNED FOR SPEED

Woods finish mowers help you maintain a beautiful lawn in less time. You'll look forward to using and maintaining your equipment with features that focus on your drive to get more done.

- Unique to the industry, our rounded-front, tapered-side rear discharge deck allows you to mow with better maneuverability – reducing your trim time and increasing your productivity
- Spring-loaded idler arms automatically maintain the correct tension on our strong custom-made belts, providing optimum run time

## PRECISION AND QUALITY

For those who demand a professionally groomed lawn, Woods high-performance finish mowers ensure a clean, crisp, manicured appearance year after year.

- The combination of a deep deck, baffling and unique rear discharge design ensures exceptional material distribution and gives you the premium results that make the Woods name synonymous with “cut quality”
- Manufactured exclusively to Woods' superior standards, heat-treated, alloy steel blades provide maximum performance and precision cutting in applications such as large lawns, parks and sporting fields
- Cast-iron belt sheaves with taper lock bushings and tapered roller bearings in the spindles offer exceptional strength and performance; standard on RD990X, PRD and TBW models



### TBW180

Shown with standard chain shielding

# FINISH MOWERS | Rear Discharge

## TRACTOR PTO HP RANGE: 15 - 35 HP

**RDC54** | 54-inch cutting width

**RD60** | 60-inch cutting width

**RD72** | 72-inch cutting width

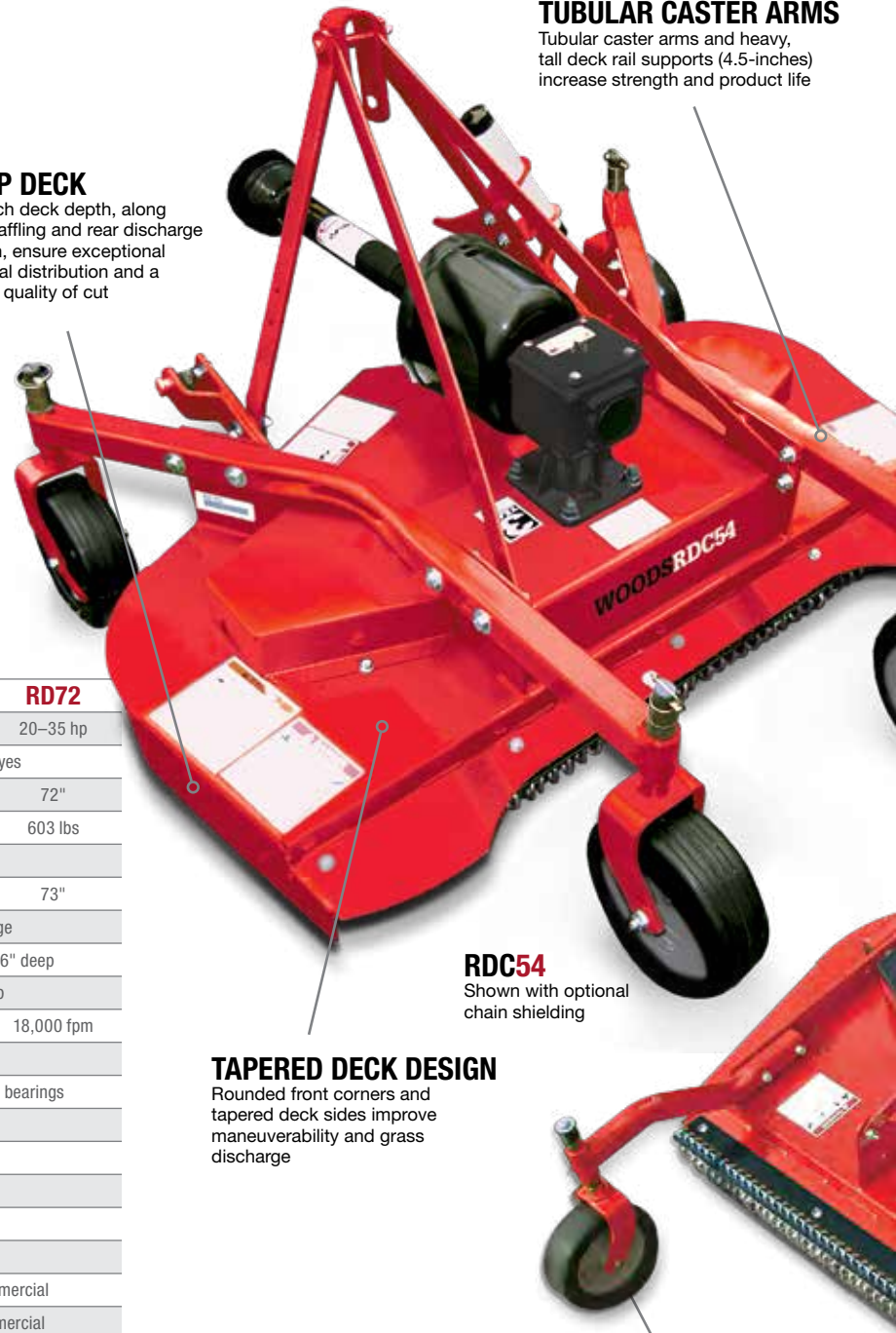
- Hitch: Limited CAT 1 and CAT 1
- Box-style construction for superior deck strength
- Cuts material up to 4.5 inch tall

### DEEP DECK

4.6-inch deck depth, along with baffling and rear discharge design, ensure exceptional material distribution and a higher quality of cut

### TUBULAR CASTER ARMS

Tubular caster arms and heavy, tall deck rail supports (4.5-inches) increase strength and product life



### RDC54

Shown with optional chain shielding

### TAPERED DECK DESIGN

Rounded front corners and tapered deck sides improve maneuverability and grass discharge

### ANTI-ROLL-OFF CASTERS

Roller bearing design and bolt-through solid rubber tires reduce possibility of roll-off

MODEL	RDC54	RD60	RD72
Tractor PTO HP Range	15–25 hp	15–35 hp	20–35 hp
Hitch/Quick-Hitch Compatible	Limited CAT 1 / no	CAT 1 / yes	
Cutting Width	54"	60"	72"
Weight	401 lbs	503 lbs	603 lbs
Cutting Height Range	1"–4.5"		
Overall Width	55"	61"	73"
Deck Material Thickness	10 gauge	8 gauge	
Side Skirt	10 gauge x 4.6" deep	8 gauge x 4.6" deep	
Gearbox HP Rating	25 hp	35 hp	
Blade Tip Speed	16,200 fpm	18,030 fpm	18,000 fpm
Blade Overlap	1"	1.5"	
Blade Spindles/Bearings	3 cast iron housings / greasable ball bearings		
Tractor PTO Speed	540 rpm		
Driveline Size	CAT 3		
Belt	B-section Kevlar®		
Belt Adjustment	spring-loaded idler		
Cutting Area Shielding	chain shielding		
Mower Warranty	1 year residential or 90 days commercial		
Gearbox Warranty (limited)	3 year homeowners, 1 year commercial		

\* NOTE: All RD-Series finish mower models pass all applicable safety standards for thrown object and blade contact without chain shielding. However, if these units will be used in areas where the possibility of thrown objects could be hazardous to persons or property, it is strongly recommended that optional chain shielding be used for extra protection.



# FINISH MOWERS | Rear Discharge

## TRACTOR PTO HP RANGE: 15 - 40 HP

**PRD6000** | 60-inch cutting width

**PRD7200** | 72-inch cutting width

**PRD8400** | 84-inch cutting width

- Three-point hitch: CAT 1
- Blade tip speeds: 18,100, 18,000 and 17,900 fpm
- Ideal for mowing large lawns, sports fields and parks
- Features a strong, eight-gauge steel deck and a powerful 60 hp gearbox

- Kevlar® belt with clutching cover protects parts and increases lifespan
- Anti-shimmy caster wheel springs reduce shock loads; tubular caster wheel arms add strength
- Floating top link helps prevent scalping
- Superior baffle design distributes material more evenly

### OFFSET CASTER ARMS

Caster arms can be adjusted inboard for more maneuverability and improved performance on rough ground (not available on PRD8400)



**PRD7200**  
Shown with optional chain shielding

MODEL	PRD6000	PRD7200	PRD8400
Tractor PTO HP Range	15-40 hp	20-40 hp	25-40 hp
Hitch/Quick-Hitch Compatible	CAT 1 / yes		
Cutting Width	60"	72"	84"
Weight	653 lbs	719 lbs	830 lbs
Cutting Height Range	1"-5.5"		1"-4.25"
Overall Width	62"	74"	86"
Deck Material Thickness	8 gauge		
Side Skirt	8 gauge x 5.375" with .563" diameter skid rod bumper		
Gearbox HP Rating	60 hp		
Blade Tip Speed	18,100 fpm	18,000 fpm	17,900 fpm
Blade Overlap	1.5"		2"
Blade Spindles/Bearings	3 cast iron housing / greasable, tapered roller bearings		
Tractor PTO Speed	540 rpm		
Driveline Size	CAT 3		
Belt	B-section Kevlar® with clutching cover		
Belt Adjustment	spring-loaded idler		
Cutting Area Shielding	chain shielding		
Mulching Kit	optional		
Mower Warranty	1 year		
Gearbox Warranty (limited)	6 years		
Spindle Warranty (limited)	3 years		

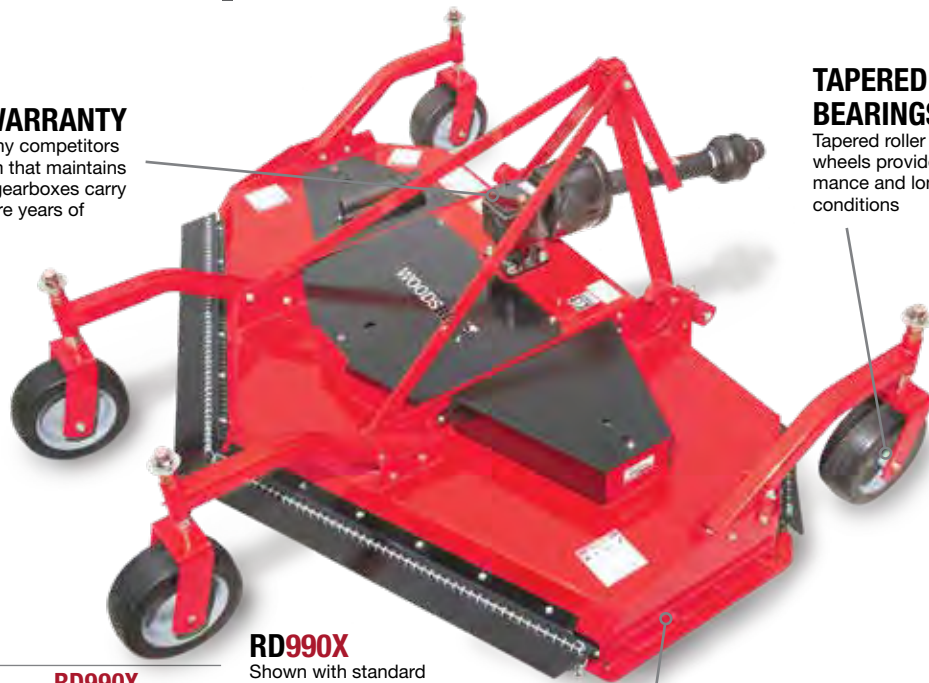
# FINISH MOWERS | Rear Discharge

## SIX-YEAR GEARBOX WARRANTY

With twice the oil capacity of many competitors and an improved breather system that maintains oil lubrication of gears, RD990X gearboxes carry a 6-year limited warranty to ensure years of worry-free performance

## TAPERED ROLLER BEARINGS

Tapered roller bearings in caster wheels provide superior performance and longevity in rough conditions



**RD990X**  
Shown with standard chain shielding

## REPLACEABLE SIDE SKIDS

Replaceable side skids attach to heavy side frames for durability and long life

MODEL	RD990X
Tractor PTO HP Range	45–75 hp
Hitch/Quick-Hitch Compatible	CAT 1 & 2/yes
Cutting Width	90"
Weight	1,333 lbs
Cutting Height Range	1.5"–7"
Overall Width	97"
Deck Material Thickness	7 gauge
Side Skirt	.31" x 8.5" with skid shoes
Gearbox HP Rating	75 hp
Blade Tip Speed	17,000 fpm
Blade Overlap	2"
Blade Spindles/Bearings	3 cast iron housings / greasable tapered roller bearings
Tractor PTO Speed	540 rpm
Driveline Size	CAT 4
Belt	powerband w/double B-section
Belt Adjustment	spring-loaded idler
Cutting Area Shielding	chain shielding
Mulching Kit	–
Mower Warranty	1 year
Gearbox Warranty (limited)	6 years
Spindle Warranty (limited)	3 years

## TRACTOR PTO HP RANGE: 45 - 75 HP

RD990X | 90-inch cutting width

The Woods RD990X rear discharge finish mower is tough yet versatile enough to move from rough, weedy farmland to commercial lawns and landscapes.

- Three-point hitch: CAT 1 and 2
- Blade tip speed: 17,000 fpm
- Takes down grass and light weeds, and leaves a high grade finish cut behind
- Features a Quick-Change blade system, an extra strong double B-section belt and anti-wrap bars that prevent damage caused by material wrapped around lower spindle
- Deep deck, swinging blades and stump jumper are ideal for rough conditions
- Floating lower hitch points allow the mower to follow uneven terrain





# FINISH MOWERS | Turf Batwing®

Our flexible wing finish mowers deliver Woods proven cutting deck in a three-gang configuration.

## TRACTOR PTO HP RANGE: 25 - 60 HP ESTATE MODEL

**TBW150C** | 12.5-foot cutting width

- Three-point hitch: CAT 3
- Blade tip speed: 16,200 fpm
- Three decks mounted to heavy-duty trailer for triple cut capacity; mow up to seven acres per hour at five miles per hour

## TRACTOR PTO HP RANGE: 30 - 80 HP COMMERCIAL MODEL

**TBW144** | 12-foot cutting width

**TBW180** | 15-foot cutting width

**TBW204** | 17-foot cutting width

- Blade tip speeds: 18,000 fpm
- Tapered roller bearings in wheels and blade spindles
- Carrier bearing on the input driveline provides support, making it easier to attach to the tractor and allow tighter turns
- Standard six-year gearbox limited warranty and three-year spindle warranty
- Options include mulching kits on TBW180 and TBW204, highway light kit and anti-scalp roller kits on all three models

- Superior cutting capabilities are combined with contoured wing decks to let you quickly cut large, uneven areas of turf without sacrificing cut quality
- Rounded front, tapered rear deck design allows mowing close to objects without damage
- Round skid rod glides deck bottom over roots and uneven turf – adding strength to the deck skirt



**TBW180**

MODEL	TBW150C	TBW144	TBW180	TBW204
Tractor PTO HP Range	25–60 hp	30–80 hp	35–80 hp	40–80 hp
Input Driveline	CAT 3 (constant velocity)	CAT 4 (constant velocity)		
Wing Drivelines	CAT 3			
Cutting Width	12.5'	12'	15'	17'
Cutting Height Range	1"–4.5"			
Wing Deck Cutting Width	54"	48.5"	60"	72"
Deck Overlap	6.15"	6.5"	6"	6"
Overall Width	151"	146"	182"	206"
Transport Width	93"	96"	100"	114"
Maximum Overall Length	135"	173"	183"	
Transport Length	126"	158"	161"	
Splitter Gearbox HP	100 hp			
Blade Tip Speed	16,200 fpm	18,000 fpm		
Drive Type	gearbox over v-belt			
Transport Tires	(2) 20" x 8"	(2) 20.5" x 8"		
Caster Wheel Bearings	power metal bushing	tapered roller bearings		
Caster Wheels	(10) 10" x 4" solid	(10) 15" x 6" pneumatic	(10) 18" x 9.5" pneumatic	
Deck Thickness	10 gauge steel plate	8 gauge		
Wing Deck Lift Cylinders	3" x 10" single acting	3.5" x 10" single acting		
Center Deck Lift Cylinders	3" x 8" single acting			
Trailer Frame Construction	.25" wall tubing			
Hitch Adjustment	floating clevis, multi-position			
Blade Spindles Bearings	greasable ball bearings	greasable tapered roller		
Blade Dimensions	(9) .25" x 2.5"	(9) .25" x 2.5"		
Blade Spindles	(9) cast iron	(9) cast iron		
Cutting Height Adjustment	spacer on caster			
Belts	B-section, Kevlar			
Belt Adjustment	spring-loaded idler			
Chain Shielding	optional	standard		

# FLAIL SHREDDERS | Center Drive

## SIX MODELS IN SIX WIDTHS:

15'/6-ROW, 20'/8-ROW,  
22'/8-ROW, 25'/10-ROW, 27'/10-ROW, AND  
30'/12-ROW (30-INCH ROWS)



# S30CD

### FEATURES

- Designed to shred corn, cotton and milo stalks, as well as potato vines, sugar beet tops and other specialty crops
- Woods shredder bodies are supported by three massive tubular beams to increase strength and reduce vibration, extending the life of the machine
- Shredder drive is protected with either a 24,000 lbs. inch overrunning disc clutch (not available on S30CD) or a 30,000 lbs. inch overrunning automatic clutch, made completely of metal. The clutch disengages when torque limit is reached. To re-engage, reduce tractor PTO speed to match gearbox input shaft

### END-TOW TRANSPORT HITCH

The end-tow hitch makes transporting your Woods Flail Shredder quick and easy. In just minutes, the shredder converts from a center drive connection to your tractor into an end-tow hitch that can be easily moved to the next job. The end-tow transport hitch is standard on the S30CD, optional on S15CD through S27CD.\*

\*The above image is not representative of end-tow option available for models S15CD through S27CD



**TRACTOR PTO HP RANGE: 90 - 240 HP**

**S15CD** | Cutting width: 183 inches

**S20CD** | Cutting width: 247 inches

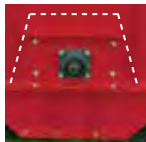
**S22CD** | Cutting width: 271 inches

**S25CD** | Cutting width: 303 inches

**S27CD** | Cutting width: 327 inches

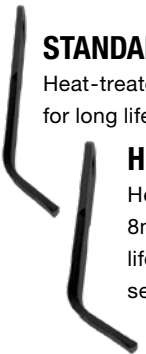
**S30CD** | Cutting width: 363 inches

- High-capacity gearbox with large oil volume reduces heat buildup, extending bearing and gear life
- Specially designed oil seal protectors prevent vines from encasing and damaging gearbox oil seals
- 12.75-inch diameter flail tubes with spiral mounted knives feature increased rigidity, resulting in smoother operation



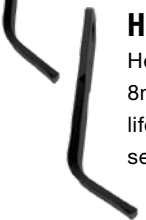
**TRI-LATERAL HOOD ALLOWS QUADRUPLE SHREDDING ACTION**

The first cut occurs at the cutting level, the second at the front panel, the third at the top of the shredder, and the fourth cut occurs at the back of the shredder



**STANDARD L KNIFE**

Heat-treated, 6mm reversible for long life



**HD-COTTON L KNIFE**

Heat-treated, Duraface®, 8mm reversible for longer life and durability in severe conditions

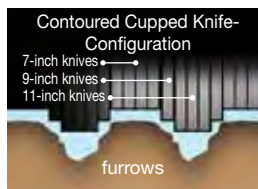
**CUPPED KNIVES**

Create vacuum action to lift foliage off the ground and up into the shredder; can be used in combination with L-knives



**CONTOUR CUPPED KNIVES**

Three different length cup knives; great for defoliating potato vines or other root crops grown on ridges



MODEL
Minimum Tractor PTO HP
Tractor PTO
Cutting Height
Cutting Width
Overall Width
Approximate Weight
Number of L Knives
Number of C Knives
Lift HP Required
Pull HP Required
Rotor Speed
Blade Tip Speed
Gearbox HP Rating
Gearbox Warranty (limited)
Driveline 2 Point & 3 Point
Pull-type
Hood Type
Hood Thickness
End Plate Thickness
Flail Tube Diameter
Rotor Shaft Size
Flail Tube End Bearing
Shielding
Wheel Size
Knife Retention
Knife Pattern
Knife Types
Wheel Arm Types
Optional Disc Clutch
Automatic Disc Clutch
Optional Hitches

S15CD	S20CD	S22CD	S25CD	S27CD	S30CD
90 hp	120 hp	132 hp	150 hp	162 hp	240 hp
1,000 rpm					
2"—14"					
183"	247"	271"	303"	327"	363"
190"	254"	278"	310"	334"	380"
4,248 lbs	5,038 lbs	5,308 lbs	5,838 lbs	6,138 lbs	6,958 lbs
168	232	256	288	312	352
84	116	128	144	156	176
90 hp	120 hp	135 hp	150 hp	165 hp	190 hp
90 hp	120 hp	135 hp	150 hp	165 hp	N/A
1,350 rpm					
11,700 (133 mph)					
300 hp					
5 years					
CAT 6					
CAT 6 CV					
smooth, trilateral shape					
.18" (optional wearliner available)					
.25"					
12.75"					
2.18" (2-3/16")					
2.18" (2-3/16")					
rubber belting or flaps					
9.5L" x 15"					
bolt-on (no D-rings)					
spiral					
double-edged L (6mm), double-edged HD-cotton Duraface® L (8mm); cup or contour cup					
rigid strut or caster				caster	
24,000 lbs inch rating				NA	
30,000 lbs inch rating (1.75" 20 PTO only)				standard	
two-point, three-point (Quick-Hitch compatible) pull				three-point mounted	

# SNOW BLOWERS

**MAKE QUICK WORK OF MOVING ALL TYPES OF SNOW – POWDER, CRUSTED, ICY OR WET.**

- TRACTOR HP RANGE: 15–175 HP
- AVAILABLE IN SIX WORKING WIDTHS FROM 54 TO 108 INCHES
- TWO-STAGE DESIGN GIVES YOU MORE THROWING FORCE WITH LESS HORSEPOWER

## DISCHARGE CHUTE

Superior discharge chute design resists plugging

## AUGERS

Augers with optimized feed paddles and excellent feeding ability

WOODS SB84  
**SB84**



# SNOW BLOWERS

## TRACTOR PTO HP RANGE: 15 - 60 HP

**SB54S** | Tractor HP range: 15–25 hp

**SB64S** | Tractor HP range: 15–35 hp

**SB74C** | Tractor HP range: 30–50 hp

**SB84C** | Tractor HP range: 35–60 hp

- Designed specifically for sub-compact and compact tractors
- Move large amounts of snow in a short time with working widths from 54 to 84 inches
- Get more throwing force with less horsepower than single-stage snow blowers with Woods' two-stage design
- Reinforced steel side plates offer exceptional durability
- Make quick and easy adjustments using the optional hydraulic or electric chute rotator

## TRACTOR PTO HP RANGE: 60 - 175 HP

**SS84-2** | Tractor HP range: 60–80 hp

**SS96-2** | Tractor HP range: 80–150 hp

**SS108-2** | Tractor HP range: 125–175 hp

- Tackle the big storms with working widths from 84 to 108 inches, and up to a 38-inch working height
- Adjustments are a breeze with the 200-degree hydraulic chute rotation — standard on every SS model
- Ensure faster, easier and safer hook-ups with ASABE quick-hitch compatibility
- Double your snow throwing power with two feeder augers on the SS96-2 and SS108-2 models

### 4-BLADE FAN

More efficient 4-blade fan design moves snow faster



Shown with optional skid shoes

MODEL	SB54S	SB64S	SB74C	SB84C	SS84-2	SS96-2	SS108-2
Tractor PTO HP Range	15–25 hp	15–35 hp	30–50 hp	35–60 hp	60–80 hp	80–150 hp	125–175 hp
Tractor PTO Speed	540 rpm				540/1,000 rpm		
Hitch (All models are ASABE Quick-Hitch Compatible)	CAT 1		CAT 1 & 2		CAT 2 & 3		
Working Width	54"	64"	74"	84"	84"	96"	108"
Transport Width	56"	66"	76"	86"	88"	100"	112"
Working Height	24"		26"		38"		
Approximate Weight	415 lbs	436 lbs	592 lbs	632 lbs	1,210 lbs	1,420 lbs	1,741 lbs
Driveline	CAT 3				CAT 4		
Driveline Protection	shear bolt				shear bolt / clutch		
Drive Type–Fan	gearbox						
Drive Type–Auger	gearbox & chain						
Number of Feeder Augers	1				1, 2 optional	2	
Auger Flighting	.31" x 2"				.31" x 3"		
Chute Rotation	270°				200°		
Hydraulic Chute Rotator	optional				standard		
Fan Diameter	22"	24"		33"			
Fan Depth	6"	8"		9"			
Replaceable Skids	yes						
Adjustable Skids	yes						
Replaceable Cutting Edge	welded				bolt-on		
Telescoping Three-point Hitch	no				yes		

# LANDSCAPE EQUIPMENT



# RBS84P

## WOODS LANDSCAPE EQUIPMENT

Whether your landscape projects are contained in your own backyard or the way you make your living, you want equipment that's easy to use, easy to maintain and built to last. That's what Woods delivers.

We build a full line of tools to tackle a variety of projects, such as putting in a new garden, reshaping a driveway or seeding a lawn. We'll help you get the most out of the investment you've made in your tractor. And, at the end of the day, we'll help you feel good about all the chores you checked off your list.

Pull it all together and you've got Woods Power — power to be more productive.



# A FULL LINE OF TOOLS TO TACKLE A VARIETY OF YARD AND GARDEN PROJECTS.

**BOX SCRAPERS** are designed with exceptional strength and versatility to move large amounts of material; the tough, reversible cutting edge leaves a level finish.

**GRADING SCRAPERS** are ideal for leveling dirt and gravel in driveways, lawns and fields.

**REAR BLADES** move dirt, grade driveways and clear snow.

**LANDSCAPE RAKES** are strong, yet versatile, for both tough clean-up jobs and fine raking.

**POST HOLE DIGGERS** power through a variety of soil conditions and projects, like planting trees and shrubs or installing deck or fence posts.

**STUMP GRINDERS** reduce tree stumps to mulch in minutes and grind below ground level.

**CULTIPACKERS** are a versatile seedbed tool designed to help improve germination rates and yield. Use our rugged Woods cultipacker to crush dirt clods and eliminate air pockets before planting or to lightly firm the soil around seeds after planting.



## Quick Hitch

Woods TQH1 quick hitch makes easy work of changing from one 3-point attachment to another. When hooking up to many implements, you never have to leave the tractor because lower hooks automatically lock implement into place.

- Heavy-duty steel construction with adjustable top link bracket.
- Seven-eighths-inch mounting pins and adapter bushings.
- Lower arms lock automatically.
- Ensure fast, easy and safe hook-ups with ASABE quick-hitch compatibility.



**TQH1**

MODEL	TQH1	TQH2
Tractor Hitch	CAT 1	CAT 2
Width	27.25"	
Approximate Weight	75 lbs	
Mounting Pin Diameter	.875"	
Adapter Bushing Diameter	1.25"	

# Box Scrapers

## TRACTOR PTO HP RANGE: UP TO 45 HP

**GBC48** | 48-inch     **BSS54** | 54-inch  
**BSS60** | 60-inch     **BSS65** | 65-inch  
**BSS72** | 72-inch

- Three-point hitch: Limited 1, and 1
- Designed for sub-compact and compact tractors
- Hardened scarifier teeth with replaceable tips
- Reversible/replaceable high-carbon cutting edges



**BSS72**

## TRACTOR PTO HP RANGE: 40 - 65 HP

**BSM72** | 72-inch  
**BSM84** | 84-inch

- Three-point hitch: CAT 1 and 2
- End plates: .5-inch– 33% heavier end plates than our BSS models
- One-quarter-inch plate welded inside of end plates to increase life
- Optional floating, hinged tailgate to provide maximum downforce on cutting edge

MODEL	<b>GBC48</b>	<b>BSS54</b>	<b>BSS60</b>	<b>BSS65</b>	<b>BSS72</b>	<b>BSM72</b>	<b>BSM84</b>
Tractor Engine HP Range	up to 25 hp		up to 45 hp			40–65 hp	
Tractor Hitch	Ltd 1 & 1		CAT 1			CAT 1 & 2	
Working Width	48"	54"	60"	65"	72"	72"	84"
Capacity	6.8' cubic	10.3' cubic	11.5' cubic	12.5' cubic	13.8' cubic	13.8' cubic	16.2' cubic
Approximate Weight	285 lbs	486 lbs	514 lbs	528 lbs	551 lbs	680 lbs	750 lbs
Scarifier Depth	0"–1.5"		0", 1.5" or 3" adjustable				
Number of Scarifiers	4	4	5	5	6	6	7
Tailgate Type	fixed					fixed, floating optional	
Reversible Cutting Edge (qty/size)	(2) 0.5" x 6"						



# Grading Scrapers



Ideal for leveling, from filling driveway potholes to removing a soil berm. Woods grading scrapers are designed to handle more material in fewer passes.

- Heavy-duty mast plates create more downforce for smoother surface and virtually eliminates washboard effect
- Adjustable skid shoes and scarifiers increase performance
- Tall side frames hold more material
- Approachable leading edges and structural reinforcements keep scraper stronger for longer
- Reversible/replaceable high-carbon cutting edges



**GSS72P**

**GSS72**

## TRACTOR PTO HP RANGE: 15 - 45 HP

**GSS54/GSS54P** | 53-inch

**GSS60/GSS60P** | 59-inch

**GSS72/GSS72P** | 71-inch

- Three-point hitch: Limited CAT 1 and 1
- Fourteen- and sixteen-inch box heights

## TRACTOR PTO HP RANGE: 30 - 65 HP

**GSM84/GSM84P** | 83-inch

**GSM96/GSM96P** | 95-inch

- Three-point hitch: CAT 1 and 2
- Sixteen-inch box height — one of the tallest in the industry

MODEL	<b>GSS54/ GSS54P</b>	<b>GSS60/ GSS60P</b>	<b>GSS72/ GSS72P</b>	<b>GSM84/ GSM84P</b>	<b>GSM96/ GSM96P</b>
Tractor Engine HP Range	15–30 hp	20–45 hp		30–65 hp	
Hitch Category	Limited CAT 1 & 1	CAT 1		CAT 1 & 2	
Working Width	53"	59"	71"	83"	95"
Overall Width	58"	64"	76"	88"	100"
Overall Length	42"	46"			
Box Height	14"	16"			
Weight without Scarifiers	349 lbs	493 lbs	580 lbs	664 lbs	712 lbs
Weight with Scarifiers*	409 lbs	553 lbs	655 lbs	754 lbs	802 lbs
Number of Scarifiers*	4		5	6	
Reversible Cutting Edge (qty/size)	(2) 0.5" x 6"				
Scarifier Adjustments*	-4.0, -2.5, -1.0, +1.0	-2.5, -1.0, +0.5, +2.5			
Skid Shoe Adjustment	-0.75 to +0.75		-1.0 to +0.5		
Lower Hitch Design	clevis				

\* NOTE: Premium Models only: GSS54P, GSS60P, GSS72P, GSM84P, GSM96P

# Rear Blades

Ideal for grading dirt or gravel, cleaning up construction sites and moving snow.

## TRACTOR HP RANGE: UP TO 45 HP

**RBS54** | 53-inch

**RBS60P** | 59-inch

**RBS60** | 59-inch

**RBS72P** | 71-inch

**RBS72** | 71-inch

**RBS84P** | 83-inch

- Formed moldboard made from high-strength steel provides exceptional rigidity and pivots 360°
- Double-beveled, reversible, bolt-on cutting edge adds to product life and enables easy replacement
- Optional skid shoes for depth control, and optional parking stand for easier attachment

## TRACTOR HP RANGE: 30 - 65 HP 50 - SERIES REAR BLADES

**RB72.50** | 71-inch

**RB84.50** | 83-inch

**RB96.50** | 95-inch

- Seventeen-inch high, ¼-inch thick moldboard
- Double-beveled, reversible and hardened cutting edge for long life
- Fully manual offers angle, offset and tilt adjustments
- Optional end plates, skid shoes and hydraulic angle kit (includes relief valve)
- Convenient parking stand is standard





# Rear Blades

## TRACTOR HP RANGE: 40 - 85 HP 60 - SERIES REAR BLADES

**RB84.60** | 83-inch

**RB96.60** | 95-inch

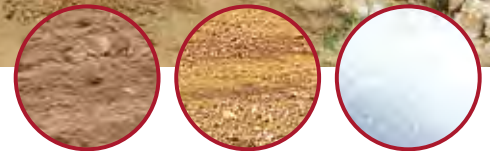
- Seventeen and a half-inch high, 5/16-inch thick moldboard
- Double-beveled, reversible and hardened cutting edge for long life
- Choose manual or hydraulic, featuring angle, offset and tilt adjustments
- Optional end plates, skid shoes, tailwheel and selector valve
- Convenient parking stand is standard

## TRACTOR HP RANGE: 50 - 100 HP

**RB750** | 83-inch

**RB850** | 95-inch

- Three-point hitch: CAT 2
- Seventeen-inch high, reinforced moldboard
- Optional end plates, skid shoes and tailwheel
- Standard parking stand



# Rear Blades



**RBS84P**  
Shown with optional parking stand

MODEL	RBS54	RBS60	RBS72	RBS60P	RBS72P	RBS84P	RB72.50	RB84.50	RB96.50
Tractor Engine HP	up to 30 hp			20-45 hp			30-65 hp		
Tractor Hitch	Limited CAT 1 & 1			CAT 1			CAT 1 & 2		
Working Width	53"	59"	71"	59"	71"	83"	71"	83"	95"
Moldboard Height	12"			15"			17"		
Moldboard Thickness	0.182" (grade 80 steel)			0.125" (grade 80 steel)			0.25" (grade 80 steel)		
Weight	134 lbs	142 lbs	156 lbs	268 lbs	288 lbs	308 lbs	455 lbs	475 lbs	495 lbs
Double-beveled, Reversible Cutting Edge Dimensions	0.375" x 6"			0.5" x 6"			0.5" x 6"		
Angle Adjustments	5 positions up to 30°						7 positions up to 45° (mech or hyd)		
Offset Adjustments	—	—	—	up to 12" left or right			6", 12", 18" left or right		
Tilt Adjustments	—	—	—	up to 15°			5 positions up to 23°		
End Plates	—	—	—	optional			optional		
Skid Shoes	optional						optional		
Tailwheel	—	—	—	—	—	—	—		
Parking Stand	optional						standard		
ASABE Quick-Hitch Compatible	yes						yes		



# Rear Blades



**RB96.60**  
Shown with optional hydraulic adjustment and selector valve

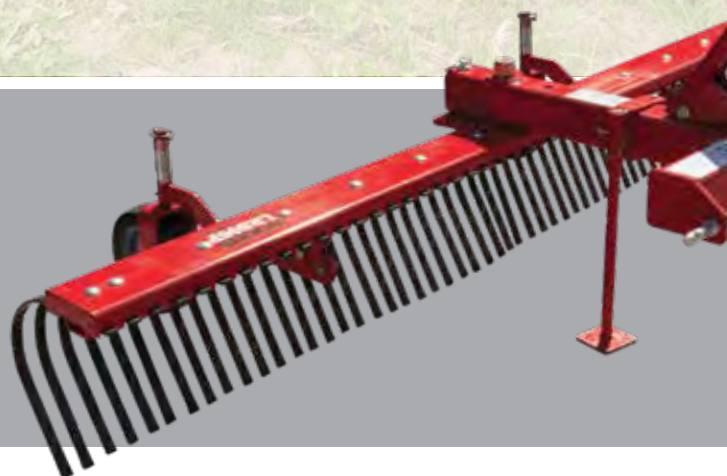
RB84.60	RB96.60	RB750	RB850	RB990	RB1010
40-85 hp		50-100 hp		80-150 hp	
CAT 1 & 2		CAT 2		CAT 2 & 3	
83"	95"	83"	95"	107"	119"
17.5"		17"		18"	
0.313"		0.313"		0.25"	
705 lbs	730 lbs	1,193 lbs	1,233 lbs	1,483 lbs	1,535 lbs
0.5" x 6"		0.5" x 6"			
up to 45° (mech or hyd)		9 forward up to 60°; 5 reverse up to 30° (mech or hyd)		up to 60° (hyd)	
up to 20° (mech or hyd)		up to 24° (mech or hyd)		up to 33° (mech or hyd)	
up to 23° (mech or hyd)		up to 30° (mech or hyd)		up to 28° (mech or hyd)	
optional		optional		—	—
optional		optional		—	—
optional		optional			
standard		standard			
yes		yes			

## Landscape Rakes



# LRS72P

WOODS LANDSCAPE RAKES ARE BUILT WITH RUGGED DURABILITY FOR TOUGH CLEAN-UP JOBS, AS WELL AS FINE RAKING FEATURES FOR LIGHT-DUTY LAWN CARE AND GENERAL MAINTENANCE.





# IDEAL FOR LAWN MAINTENANCE PROJECTS AND CLEARING DEBRIS AT CONSTRUCTION SITES.

## TRACTOR PTO HP RANGE: UP TO 30 HP

**LRS52** | 52-inch      **LRS60** | 60-inch      **LRS72** | 72-inch

## TRACTOR PTO HP RANGE: 20 - 45 HP

**LRS72P** | 72-inch      **LRS84P** | 84-inch      **LRS96P** | 96-inch

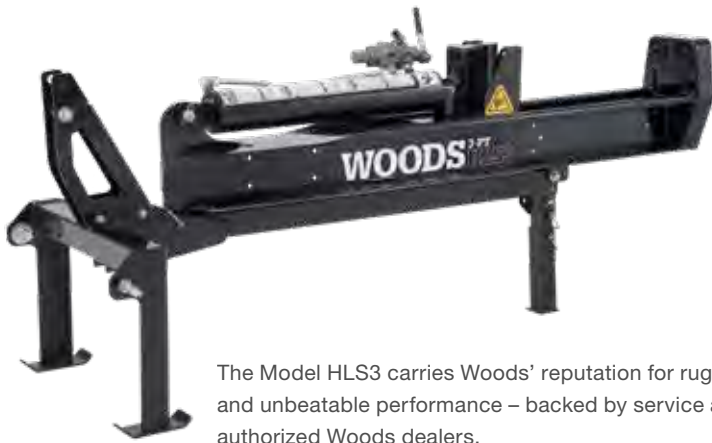
- Heavy pivot components increase product longevity
- Large, structural tine beam channel holds alloy spring steel tines firmly
- Fast, easy and safe hook-ups with ASABE quick-hitch compatibility
- Optional gauge wheels allow better depth control and optional parking stand for easier attachment

MODEL	LRS52	LRS60	LRS72	LRS72P	LRS84P	LRS96P
Tractor Engine HP Range	up to 30 hp			20-45 hp		
Tractor Hitch	Limited CAT 1 & 1			CAT 1		
Working Width	52"	60"	72"	72"	84"	96"
Approximate Weight	156 lbs	168 lbs	186 lbs	264 lbs	288 lbs	311 lbs
Pivot Angle	Forward - 5 @ 15°, Reverse - 5 @ 15°					
Tines Dimensions	5/16" x 1"					
Tines Spacing	1"					
Gauge Wheels	optional					
ASABE Quick-Hitch Compatible	yes					
Parking Stand	optional					

\* NOTE: LRS72P, LRS84P and LRS96P are Premium Models

Shown with optional parking stand.

# 3-point Log Splitter



The Model HLS3 carries Woods' reputation for rugged durability and unbeatable performance – backed by service and support from authorized Woods dealers.

- Attaches inline to tractor, providing a large operator work area
- Beam is reinforced in high-stress areas and integrated with the footplate for added strength and durability
- Precision-engineered 8" wedge cleanly splits even the most difficult wood, such as wet, stringy elm
- Operates in horizontal or vertical position

## TRACTOR HITCH CATEGORY: CAT 1 & 2 HLS3

MODEL	HLS3
Hitch Type	3-point
Hitch Category	CAT 1 & CAT 2
Beam	manufactured in the USA from high-strength US steel; 6" x 6"
Cylinder	4" diameter x 24" stroke
Valve	auto-return
Operation	horizontal and vertical
Maximum Splitting Force*	20 tons
Log Capacity	24.5" length (61 cm)
Approximate Cycle Time*	13 seconds
Wedge	8" high
Working Height	25" (63.5 cm)
Length	82.5"
Width	48.2"
Total Weight	400 lbs
Log Cradle	patented design is integrated with foot plate

\* Tonnage and cycle times may vary depending upon mechanical and environmental conditions.

# Post Hole Diggers

## TRACTOR PTO HP RANGE: 14 - 95 HP

TPD25 TPD35 TPD95



Ideal for landscapers, farmers and municipalities planting trees and shrubs or installing decks and fencing in all soil types and conditions.

- Heavy-duty welded construction and shear pin increase product longevity
- Rugged gearbox with tapered roller bearing withstands shock and load, handles the toughest projects
- Six-year gearbox warranty

MODEL	TPD25	TPD35	TPD95
Tractor PTO HP Range	14-25 hp	20-35 hp	35-95 hp
Tractor Hitch	CAT 0, Ltd 1, & 1	CAT 1	CAT 1 & 2
Approximate Weight (without auger)	140 lbs	146 lbs	238 lbs
Drive Type	gearbox		
Tractor PTO Speed	540 rpm		
Shear Pin	standard		
Positioning Handle	standard		
Hydraulic Downforce Kit	optional		
Parking Stand	optional		
Auger (diameter x length)	6", 9", 12" x 36"	6", 9", 12", 18" x 48"	6", 9", 12", 18", 24", 30" x 48"
Auger Extension	optional (12")		



# Cultipackers

## TRACTOR PTO HP RANGE: UP TO 75 HP

**C48T** | 48-inch

**C72** | 72-inch

**C84** | 84-inch

- Attaches to ATVs, UTVs and tractors up to 75 hp

A rugged, easy-to-use seedbed tool that crushes dirt clods and firms the soil around seeds.

- Notched, cast-iron cultipacker wheels provide perfect seed-to-soil contact for higher germination rates
- Flip-over hitch easily changes from towing to working the dirt
- Greasable, triple-sealed bearings are easy to maintain and extend work life



MODEL	C48T	C72	C84
Tractor PTO HP Range	up to 30 hp	20-75 hp	20-75 hp
Hitch Type / Category	pull-type / 2" ball	3-pt / CAT 1 & 2	
Working Width	48"	72"	84"
Overall Width	67"	82"	94"
Weight	275 lbs	371 lbs	420 lbs
Axle Size	1.75"		
Cultipacker Wheel Diameter	9.5"		
Cultipacker Wheel Quantity	21	32	37

# TILLAGE EQUIPMENT



## WOODS TILLAGE EQUIPMENT

When you're ready to dig in and work the soil, turn to Woods. We bring a well-earned reputation for durability, reliability and innovation to our line of tillage equipment. Woods rotary tillers and disc harrows are designed for medium- and heavy-duty projects on homes, small farms, orchards or nurseries and for anyone living the country life. Choose from a range of widths depending upon your tasks.



# THERE'S NOTHING LIKE THE SMELL OF FRESH TURNED DIRT.



Woods' line of rotary tillers couples the best design features with outstanding performance. In fact, our 30- and 40-series rotary tillers received the 2017 ASABE award for Outstanding Innovations in Product or Systems Technology.

When you're ready to dig in and work the soil, turn to Woods.

## CHOOSE FROM FORWARD AND REVERSE ROTATION

In 44- to 74-inch widths, Woods' forward rotation rotary tillers are ideal for moist, wet, rocky, sandy or loose soil conditions. Reverse rotation tillers deliver a smoother top layer of soil by allowing ground cover to travel over the rotor top first, then incorporating it back into the ground beneath a fresh new layer of dirt.



**REVERSE**

**FORWARD**

# ROTARY TILLERS | Forward & Reverse Rotation



Woods' line of rotary tillers couples the best design features with outstanding performance for the discerning user. Our tillers will handle your landscaping and gardening projects with ease.

**RT48.30**

## TRACTOR PTO HP RANGE: 17 - 35 HP 30-SERIES ROTARY TILLERS

**RT42.30/RTR42.30** | 41-inch

**RT48.30/RTR48.30** | 47-inch

## TRACTOR PTO HP RANGE: 25 - 50 HP 40-SERIES ROTARY TILLERS

**RT60.40/RTR60.40** | 59-inch

**RT72.40/RTR72.40** | 71-inch

- Innovative double-flange blade support
- Gear-driven side drive – less maintenance than chain-driven units
- 3-year warranty on input gearbox (includes seals)

MODEL	RT42.30/RTR42.30	RT48.30/RTR48.30	RT60.40/RTR60.40	RT72.40/RTR72.40
Tractor PTO HP Range	12–30 hp	15–35 hp	18–40 hp	20–50 hp
Tractor Hitch	Limited CAT 1 & 1		CAT 1	
Tilling Width	41"	47"	59"	71"
Overall Width	51"	57"	69"	81"
Weight	478 lbs / 484 lbs	502 lbs / 508 lbs	570 lbs / 578 lbs	621 lbs / 630 lbs
Maximum Tilling Depth	7"	7"	7"	7"
Drive Type	gearbox			
Standard Number of Tines/Number of Flanges	20/5	24/6	28/7	36 / 9
Number of Tines per Flange	4 C-type			
Rotor Shaft	210 rpm			
PTO Driveline Protection	slip clutch			
Tractor PTO Speed	540 rpm			
Gearbox Housing	heavy-duty cast iron			
Gearbox Drain Plug	yes			
Convertible Side Shift Right	3"		2.5"	
Quick-Hitch Compatible	yes			



# ROTARY TILLERS | Forward & Reverse Rotation

**TRACTOR PTO HP RANGE: 20 - 45 HP**

**TC60/TCR60** | 60-inch **TC74/TCR74** | 72-inch

**TC68/TCR68** | 84-inch

- Specifically designed for compact tractors
- Sturdy rear tailgate evenly distributes dirt — leaves a smooth, flat seedbed



MODEL	TC60/TCR60	TC68/TCR68	TC74/TCR74
Tractor PTO HP Range	20–45 hp		
Tractor Hitch	CAT 1		
Tilling Width	60"	68"	74"
Overall Width	67"	75"	81"
Weight	597 lbs / 604 lbs	634 lbs / 641 lbs	665 lbs / 672 lbs
Maximum Tilling Depth	7.5"	7.5"	7.5"
Drive Type	#80 chain		
Standard Number of Tines/Number of Flanges	42/7	48/8	54/9
Number of Tines per Flange	6 C-type		
Rotor Shaft	240 rpm		
PTO Driveline Protection	slip clutch		
Tractor PTO Speed	540 rpm		
Gearbox Housing	heavy-duty cast iron		
Gearbox Drain Plug	yes		
Convertible Side Shift Right	15.5"	19.5"	22.5"
Quick-Hitch Compatible	yes		

# Disc Harrows

Whether you're breaking new ground for a garden, or tilling an existing nursery, food plot, vineyard or farm, Woods has the right disc harrow for your land. These rugged disc harrows carry Woods' reputation for durability and reliability. Plus, these new discs are easy to use due to innovative design features like individually adjustable disc gangs that reposition with a single pin.

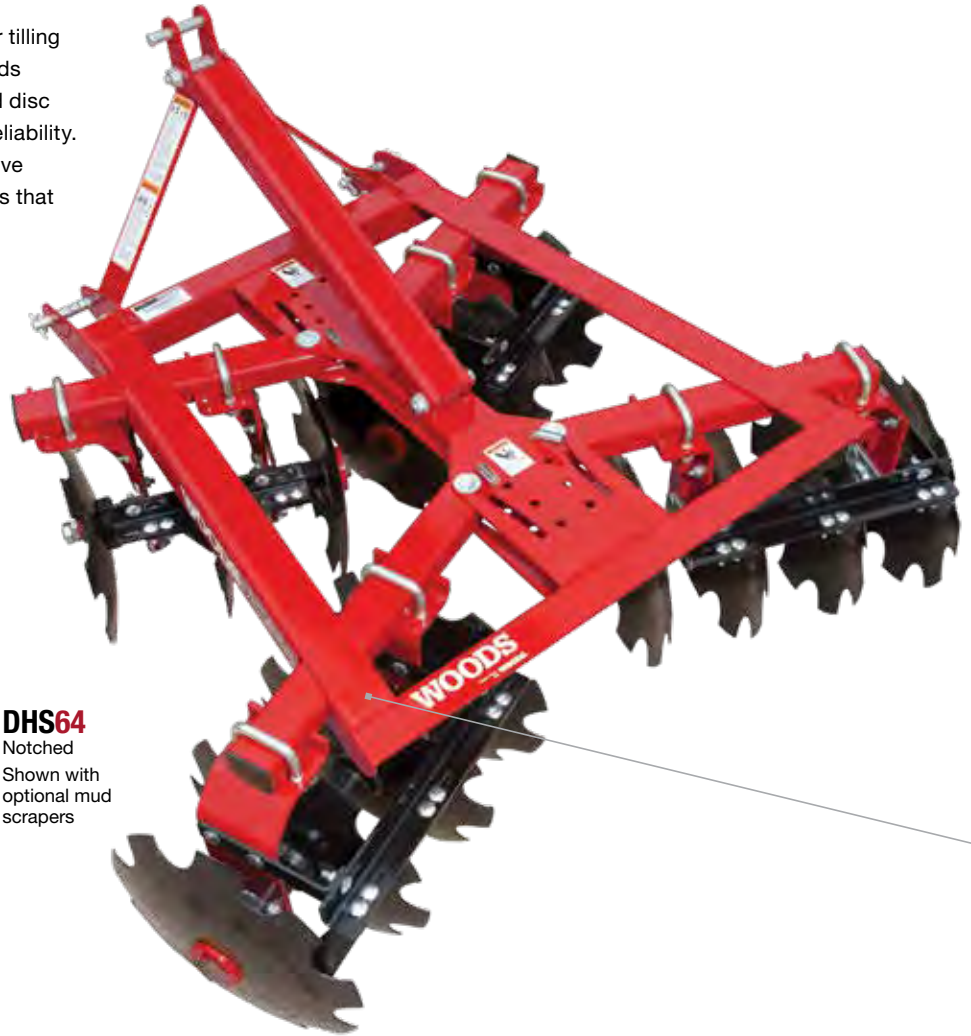
## TRACTOR PTO HP RANGE: UP TO 55 HP

**DHS48** | 48-inch

**DHS64** | 64-inch

**DHS80** | 80-inch

- Optional mud scrapers that prevent clogging, increase productivity
- Optional furrow fillers (DHS64, DHS80)



**DHS64**  
Notched  
Shown with  
optional mud  
scrapers

MODEL	DHS48	DHS64	DHS80
Tractor Engine HP	up to 35 hp	25-45 hp	35-55 hp
Tractor Hitch	CAT 1, Lim. CAT 1	CAT 1	
Width	48"	64"	80"
Weight (Depends Upon Blade Type)	390 lbs	508 lbs	590 lbs
Disc Blade Type	notched	notched; or combination smooth and notched	
Average Weight per Blade	33 lbs	36 lbs	33 lbs
Disc Diameter / Quantity	16" / 12	18" / 14	18" / 18
Disc Spacing	7.5" front and rear	9" front, 7.5" rear or 7.5" front and rear	
Gang Axle Diameter	1" square		
Frame Construction	3" x 3" tube and angle		3" x 3" tube and channel
Quick-Hitch Compatible	Yes		



# Disc Harrows

**TRACTOR PTO HP RANGE: 45 - 85 HP**

**DHM80** | 80-inch

**DHM96** | 96-inch

- Optional furrow fillers to reduce end ridges
- Optional rear drawbar for towing equipment
- Optional mud scrapers that prevent clogging, increase productivity



Tapered frame design balances individual disc gangs for easy adjustments

**DHM80**  
Notched  
Shown with optional mud scrapers, furrow fillers and drawbar

MODEL	DHM80	DHM96
Tractor Engine HP	45-75 hp	55-85 hp
Tractor Hitch	CAT 1 & 2	
Width	80"	96"
Weight (Depends Upon Blade Type)	845 lbs	960 lbs
Disc Blade Type	notched; or combination smooth and notched	
Average Weight per Blade	47 lbs	44 lbs
Disc Diameter / Quantity	20" / 18	20" / 22
Disc Spacing	9" front, 7.5" rear or 7.5" front and rear	
Gang Axle Diameter	1 1/8" square	
Frame Construction	3" x 3" tube	
Quick-Hitch Compatible	Yes	

# SEEDERS

## MAXIMIZE PLANTING EFFICIENCY AND PRODUCTIVITY WITH WOODS' SEEDERS.

WHAT CAN THE WOODS FOOD PLOT SEEDER AND PRECISION SUPER SEEDER PLANT?  
HERE IS A PARTIAL LIST ...

### COOL SEASON GRASS AND CEREAL GRAINS (LARGE SEEDS)

Annual Ryegrass  
Barley  
Buckwheat  
Buffalo Grass  
Chufa  
Corn (small rounds)  
Fescue  
Kentucky Bluegrass Blends  
Kidney Beans  
Lablab  
Lima Beans  
Oats  
Orchardgrass  
Peas  
Perennial Ryegrass  
Snow Peas  
Sorghum  
Soybeans  
Sudan  
Sugar Beets  
Sunflower  
Triticale  
Wheat

### LEGUME BOX (SMALL SEEDS)

Alfalfa  
Bahai  
Bermuda  
Birdsfoot Trefoil  
Black-eyed Susan  
Brassica  
Brown Top Millet  
Carpet Grass  
Centipede  
Chicory  
Clover  
Fescue  
Forbes  
Green SprangletopKale  
Kentucky Bluegrass  
Kleingrass  
Plains Bristlegrass  
Radish  
Rape  
Side Oats Grama  
Sudan  
Sugar Beets  
Switchgrass  
Timothy  
Turnip  
Zoysia

### NATIVE WARM SEASON GRASS BOX (FLUFFY, LIGHT-WEIGHT SEEDS)\*

Big Bluestem  
Brome  
Canadian Wild Rye  
Indian Grass  
Little Bluestem  
Sideoats Grama



\* Precision Super Seeder only





# FPS 72

## SEEDERS

Woods' seeders give you the flexibility to handle primary seeding, over-seeding, and can even plant up to three types of seed in one pass. You choose the combination of seed boxes that fits your application. That means efficient, one-pass planting that maximizes efficiency and productivity.

# Food Plot Seeders



## TRACTOR PTO HP RANGE: 25 - 65 HP

**FPS48** | 49-inch      **FPS60** | 60-inch

- Three-point hitch: CAT 1 & 2
- Working widths from 48–60 inches
- Eight notched disc blades cut into the dirt

## TRACTOR PTO HP RANGE: 35 - 125 HP

**FPS72** | 72-inch      **FPS84** | 84-inch

- Three-point hitch: CAT 1 & 2 (72-inch), CAT 2 (84-inch)
- Working widths from 72–84 inches
- Ten notched (FPS72) disc blades prepare the seedbed
- Twelve notched (FPS72) disc blades prepare the seedbed

### FPS72

Shown with optional mud scrapers

MODEL	FPS48	FPS60	FPS72	FPS84
Tractor Engine HP Range	25-45 hp	30-65 hp	35-85 hp	40-125 hp
Tractor Hitch	CAT 1 & 2			CAT 2
Working Width	49"	60"	72"	84"
Weight (Standard Configuration*)	821 lbs	899 lbs	1,196 lbs	1,320 lbs
Weight (Fully Configured**)	1,084 lbs	1,222 lbs	1,578 lbs	1,762 lbs
Drive Type	ground			
Number of Seed Boxes Available	3			
Seed Box Ratio	1-speed			
Seed Cups (7" spacing)	7	8	10	12
Row Units	standard			
Cool Season Seed Box Capacity	4.00 bushel	5.00 bushel	6.00 bushel	7.00 bushel
Legume Seed Box Capacity	1.00 bushel	1.25 bushel	1.50 bushel	1.75 bushel
Disc Blades	(8) 16" notched		(10) 18" notched	(12) 18" notched
Cast Iron or Nylon Trailing Cultipacker	optional (9.5" diameter cast iron or 11" diameter nylon)			
Calibration Tray & Crank Handle	standard			
Mud Scrapers & Frame Platform	optional			
ASABE Quick-Hitch Compatible	yes			

Plant up to three types of seed in one pass. Ideal for hunters and small acreage farmers seeding legumes and larger seeds.

- Three seed box choices — one cool season and two legume — can plant a variety of seeds like alfalfa, clover, corn, sorghum, soybeans, turnips and wheat
- A trailing cultipacker firms the seedbed for perfect seed-to-soil contact that's ready to trap moisture for germination
- Plant cool season seeds, in rows, at a deeper depth while evenly broadcasting up to two types of legume seeds at a shallow depth — all in one pass

\* Includes spiked drive roller, disc blades, cool season seed box, and row units.

\*\* Includes cultipacker drive roller, notched disc blades, cool season seed box, row units, 1st and 2nd legume seed boxes, and nylon trailing cultipacker.



# Precision Super Seeders



**PSS84**

## TRACTOR PTO HP RANGE: 25 - 45 HP

**PSS48** | 49-inch      **PSS60** | 60-inch

- Three-point hitch: CAT 1 & 2
- Working widths from 48–60 inches
- Heat treated front roller spikes prepare the soil for planting

## TRACTOR PTO HP RANGE: 30 - 85 HP

**PSS72** | 72-inch      **PSS84** | 84-inch

- Three-point hitch: CAT 1 & 2 (72-inch), CAT 2 (84-inch)
- Working widths from 72–84 inches
- Heat treated front roller spikes are adjustable for primary over-seeding

The Precision Super Seeder gives you the flexibility to handle primary seeding, over-seeding and applications such as native grasses and food plots. It's the most versatile seed box combination on the market.

- Three seed box options — cool season, warm season and legume — let you plant anything from rye and oats to prairie grasses, wild flowers, radishes and soybeans
- Efficient, one-pass planting of up to two seed types at one depth and legume seeds at a different depth — with models equipped with three seed boxes
- All seed boxes can be engaged and disengaged independently with a single lynch pin — no tools required

MODEL	PSS48	PSS60	PSS72	PSS84
Tractor Engine HP Range	25-45 hp	30-65 hp	35-85 hp	40-125 hp
Tractor Hitch	CAT 1 & 2			CAT 2
Working Width	49"	60"	72"	84"
Weight (Standard Configuration*)	949 lbs	1,065 lbs	1,178 lbs	1,346 lbs
Weight (Hunting Edition Configuration**)	1,172 lbs	1,351 lbs	1,555 lbs	1,727 lbs
Drive Type	ground			
Number of Seed Boxes Available	3			
Seed Metering	fluted and picker wheel			
Seed Cups	7	8	10	12
Cool Season Seed Box Capacity	4.00 bushel	5.00 bushel	6.00 bushel	7.00 bushel
Native Warm Season Seed Box Capacity	5.00 bushel	6.25 bushel	7.50 bushel	8.75 bushel
Legume Seed Box Capacity	1.00 bushel	1.25 bushel	1.50 bushel	1.75 bushel
Front Roller Spikes	(128) .5" x 1.75" carbide steel	(160) .5" x 1.75" carbide steel	(192) .5" x 1.75" carbide steel	(224) .5" x 1.75" carbide steel
ASABE Quick-Hitch Compatible	yes			

\* Standard configuration consists of frame with spiked, ground drive roller, adjustable front spiked rollers and cool season seed box.

\*\* Hunting Edition configuration consists of frame with spiked, ground drive roller, adjustable front disc blades, cool season seed box, legume seed box and cast iron cultipacker.

# Compact Super Seeders

The Woods Compact Super Seeder is everything you need in one compact cultivation and planting package. In one pass you can prepare the seed bed, precisely drop seeds at two different depths, then firm the bed for improved germination.

## TRACTORS

**CSS48:** 15 HP - 35 HP

**CSS60:** 20 HP - 45 HP

## ATVS AND UTVS (4WH)

**CSS48:** minimum 350cc

**CSS60:** minimum 400cc



## CHOOSE THE FEATURES THAT FIT YOUR PROJECT

Every model starts with a spiked drive roller and a cool season seed box.

Then, choose the front tool that will prepare your seed bed.



### ADD ONE, OR ALL, OF THESE OPTIONS TO IMPROVE YOUR PRODUCTIVITY AND VERSATILITY:



Spiked roller with adjustable angles that will penetrate thatch and aerate lawns. Or, angle it to break up the surface and remove stands of turf.



Adjustable disc blades that will cut into and work the soil. Easily adjust the blade angles to till more aggressively depending upon soil conditions.

**3.** Add a legume seed box and now you can plant two seeds at different depths in one pass.

**4.** A rear cultipacker that increases seed-to-soil contact, firms the seed bed, and creates furrows to trap and channel water which improves germination rates.

**5.** Mud scrapers which help keep blades free from dirt clods, mud and clay.

**6.** An electric tow kit for ATVs and UTVs and hydraulic tow kit for tractors that make it easy to transport.

**PLUS, A FAST/SLOW CHAIN DRIVE, ROAD LIGHTS, SEED STOP PLATES – THE OPTIONS OFFER YOU NEARLY ENDLESS WAYS TO CUSTOMIZE YOUR WOODS COMPACT SUPER SEEDER.**



# Compact Super Seeders



**NEW**  
2020

## TRACTOR HP RANGE: 15 - 35 HP

**CSS48** | 48-inch

- Three-point hitch: CAT 1 / Limited CAT 1
- Working width 48 inches
- ATV/UTV minimum 350cc

## TRACTOR HP RANGE: 20 - 45 HP

**CSS60** | 60-inch

- Three-point hitch: CAT 1 / Limited CAT 1
- Working width 60 inches
- ATV/UTV minimum 400cc



MODEL	CSS48	CSS60
Tractor Engine HP	15-35 hp	20-45 hp
Tractor Hitch	CAT 1/Limited CAT 1	
ATV/UTV Engine Size	minimum 350cc	minimum 400cc
Working Width (inches)	48	60
Overall Width	57	69
Weight with Seed, Depending upon Configuration (lbs)	395-679	487-810
Drive Type	ground-driven spiked roller	
Number of Seed Boxes Available	1 or 2	
Seed Metering	6 seed cups	8 seed cups
Seed Box Ratio	5.1:1 or 14.4:1	5.1:1 or 14.4:1
Cool Season Seed Box with Agitator	standard	
Cool Season Seed Box Capacity (bushel)	1	1.25
Legume Seed Box	optional	
Legume Seed Box Capacity (bushel)	1	1.25
Front Tool Choices	6 - 16" notched disc blade or spiked roller	8 - 16" notched disc blade or spiked roller
Calibration Tray	standard	
Crank Handle	standard	
Spring-loaded Trailing Cultipacker	optional	
Speed Ranges	turf seed range 0-700 lbs/acre (cool season); food plot range 0-30 lbs/acre (legume)	
Options	fast/slow chain drive, Quick Hitch bushings, mud scrapers, seed stop plates, highway lights, tow kit	
ASABE Quick Hitch	add hitch pin bushings to make CAT 1 quick-hitch compatible	

# Compact Super Seeders

## GOOD THINGS... PRECISION METERING, MANEUVERABILITY, VERSATILITY, PRODUCTIVITY, DURABILITY... COME IN COMPACT PACKAGES FROM WOODS.

Ideal for small-scale planting, such as food plots, lawns, gardens, wildflower meadows, waterways and roadways. Widths 48 or 60 inches and lighter weight so you can maneuver into formerly unreachable areas.

### ADDITIONAL FEATURES STANDARD ON BOTH MODELS

- The calibration system includes seed charts, a calibration tray and crank for accurate seed rates. *WOODS Exclusive*
- Windowed seed cups and clear PVC tubes allow you to easily monitor the flow of seeds.
- A quick and easy disconnect – pull a pin and one or both seed boxes stop to make it a tilling tool for preparing the ground. Till your seed bed, then replace the pin and engage the seeding function for a final pass. *WOODS Exclusive*

**PRECISION METERING** – Precisely measure out seeds, reducing waste, plus enjoy the durability of metal (not plastic) meters.



**MANEUVERABILITY** – Easily weave into narrow spaces and make tight turns to plant areas that may not be accessible with a larger tractor and planter.



# Compact Super Seeders



**VERSATILITY** – Handle a wide range of seeds from Black-eyed Susans to corn. See our planting guide.



**PRODUCTIVITY** – Simultaneously plant two seed types at two different depths in one pass.

**DURABILITY** – Expect years of work from a rugged, Grade 80 steel body.

# GETTING THE JOB DONE

You can take on almost any project around the farm with your Massey Ferguson tractor and the right set of Woods implements. That perfect set of implements turns your tractor into a productivity powerhouse — ensuring you get the job done fast and get it done right.

When you chose your tractor, you probably looked at the type of work you needed to get done and chose a machine with the tractor horsepower to suit the size of your farm. In matching that tractor to implements, you simply need to know your tractor's engine and PTO horsepower and wheel width. In the specification charts throughout this catalog, the horsepower requirements and widths are listed for each implement. This way, you can make sure you have enough power to operate the implement and that it is wide enough to cover your wheel tracks. If you have questions, just ask your Massey Ferguson dealer.

But how do you pick the right set of implements with so many to choose from?

Let us help! Our product development team has hand selected the top five attachments that every acreage owner needs to get started.



## ROTARY CUTTER

With large areas of brush and overgrown grass, a rotary cutter is a must-have. Cutters are available in many widths and duty-classes to suit your tractor and use. Rotary cutters are not able to adjust to changes in topography — meaning too low of a cut and you're scraping the soil — so, not suited for finish mowing.



**BW15.50**



## FINISH MOWER

Many rural homesteads benefit from sweeping lawns and old pastures that have been transformed to park-like settings. If you enjoy this type of landscape, a rear-mounted finish mower is the perfect choice to manage ongoing maintenance. Finish mowers are available in a variety of widths to cover your wheel tracks and to cover as much ground as possible to get the job done quickly and efficiently.



**RDC54**





**ROTARY TILLER**

Whether you need to control weeds in your garden, get a field ready for planting, or prepare ground for a food plot, a rotary tiller makes fast work of dirt work. Matching the tiller to your tractor horsepower is key: As a general rule, every foot of width on a tiller requires at least eight horsepower from your tractor.



**REAR BLADE**

A rear blade is great for grading a driveway, cleaning up debris, or removing snow. Choose a blade that's the same width as your tractor tires or slightly larger. Price dictates features. For example, more expensive blades have both vertical and horizontal axis rotation, allowing you to tip and tilt the blade to one side or the other. More economical blades allow minimal adjustments, if any.



**POST HOLE DIGGER**

Faced with jobs such as fencing property, planting trees, or building a deck, post hole diggers make your work a lot easier. The auger is often sold separately, offering a choice of sizes for various projects. Diggers work well in most soil conditions. However, for extremely hard soil, go with a heavy-duty digger.

**RT60.40**



**RT72.50**



**QUICK-HITCH**

And don't forget a Quick-Hitch System. The Quick-Hitch allows you to easily connect and switch out implements. A Quick-Hitch connects to your tractor's three-point hitch so that all you have to do is back up to the implement, lift up and you're ready to go to work. If you are using a PTO-driven implement such as a rotary cutter or tiller, you will need to manually attach the drive shaft.





MASSEY FERGUSON

**WOODS**

# IMPLEMENTS CATALOG

[masseyferguson.us](http://masseyferguson.us)

 **AGCO** MASSEY FERGUSON is a worldwide brand of AGCO.

AGCO, Your Agriculture Company, is a premier manufacturer of agricultural equipment, providing high-tech solutions for professional farmers feeding the world. The company is dedicated to delivering superior customer service, innovation and quality. AGCO products are distributed in more than 140 countries worldwide.

**WOODS**® | A Blount International Brand  
2606 South Illinois Route 2, Oregon, Illinois 61061 tel 800-319-6637 [woodsequipment.com](http://woodsequipment.com)

©2020 Woods Equipment Company. All rights reserved. WOODS, and the Woods logo are trademarks of Woods Equipment Company. All other trademarks, trade names, or service marks not owned by Woods Equipment Company that appear in this brochure are the property of their respective companies or mark holders. Specifications subject to change without notice.

We proudly support:

