

## **Batwing®** **ROTARY CUTTERS**

**WE NOT ONLY BUILD  
THE TOUGHEST BATWING®,  
WE BUILD THE ONLY BATWING.**

### **PROVEN DURABILITY**

We not only build the toughest Batwing®, we build the only Batwing. But, don't just choose us for our name, choose us for the hours of testing in extreme conditions, the rugged sub-structure, and the industry-leading welding and paint standards. Choose Batwing for the sheer ability to tame the most unruly waterways, pastures and roadsides.

### **UNBEATABLE PERFORMANCE**

Higher torque capacities, deeper decks and our innovative wing design ensure you'll mow more material in less time. Woods Batwing cutters set the standards for cut quality, distribution and ease of use, whether you're cutting heavy grass, thick weeds and brush up to 4.5 inches in diameter.







# BW15.50



# ROTARY CUTTERS | **12' Batwing®**

The original Batwing in a 12-foot width, designed specifically for compact tractors.



**BW12**

\* NOTE: All Batwing models with removable shielding have been tested without shielding and pass all applicable safety standards for thrown objects. However, if these units will be used in areas where the possibility of thrown objects could be hazardous to persons or property, it is strongly recommended that chain shielding be used for extra protection.

# ROTARY CUTTERS | 12' Batwing®



## BW12

Shown with standard chain shielding

### TRACTOR PTO HP RANGE: MINIMUM 35 HP

#### BW12 | 12-foot Dual-wing Cutter

Requiring a minimum of 35 hp, the BW12 gives you Woods quality and performance in a sleek, round-front design and our industry-leading sloped deck.

- Total weight 2,450 lbs. with 750-lb tongue weight, ideal for use on lower horsepower compact and utility tractors
- Twelve-gauge, high-strength steel and smooth, sloped deck provide durability for long life
- Easy hook-up reduces preparation time and frustration
- Fully baffled deck ensures better distribution of cut material, and the performance you expect from Woods
- Six-year gearbox warranty including seals, for confidence in your purchase decision
- Standard chain shielding, for added safety and peace of mind

MODEL	BW12
Tractor PTO HP	35 hp minimum
Tractor Hitch	swivel clevis
Cutting Width	12.2'
Cutting Height Range	2 - 12"
Cutting Capacity	1.5" dia
Gearbox HP	160 hp - splitter / 75 hp - center and wing
Blade Tip Speed	14,300 fpm center / 14,900 fpm wing
Deck Thickness	12 ga, high-strength steel
Side Frame Thickness	7 gauge
Deck Side Depth	11"
Weight (tongue/total)	750 lbs / 2,450 lbs
Blade Dimensions	.5" x 4"
Blade Overlap	6"
Flex Wing	90° up, 22° down
Tires	21" laminated; new AG; or foam-filled
Suspension	spring on center section
PTO Driveline (main/wing)	CAT 4 / CAT 3
Cutting Area Shielding	standard chain shielding
Warranty (cutter/gearbox)	1 year / 6 year limited



# THE BEST BATWING® YOU EVER DESIGNED.

Introducing the new customer-designed 15-foot series Batwing from Woods. It's more reliable, more durable, easier-to-use, easier-to-maintain and built to perform better. It's the flexwing cutter you always wanted, you just needed a company to build it.



**“I WANT TO CUT MORE AND MAINTAIN LESS”**

**Ben Faivre, Polo, Illinois**  
Farmer and Batwing Designer

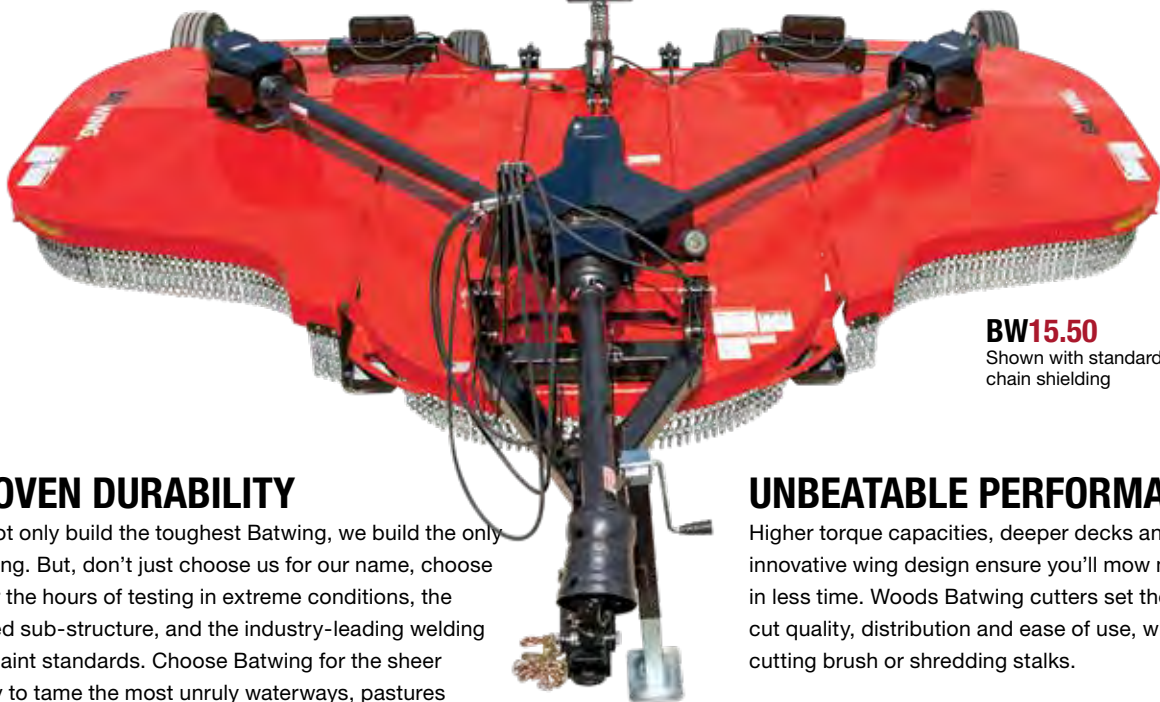
**“I WANT A QUICK AND EASY TRACTOR HOOK-UP”**

**Steve McCullough, Watseka, Illinois**  
Third Generation Family-owned Dealership and Batwing Designer



**“I WANT TO GET RID OF DEBRIS COLLECTING ON THE DECK”**

**Shawn Schaaf, Rock City, Illinois**  
Rock Run Township Highway Commissioner and Batwing Designer



**BW15.50**  
Shown with standard chain shielding

## PROVEN DURABILITY

We not only build the toughest Batwing, we build the only Batwing. But, don't just choose us for our name, choose us for the hours of testing in extreme conditions, the rugged sub-structure, and the industry-leading welding and paint standards. Choose Batwing for the sheer ability to tame the most unruly waterways, pastures and roadsides.

## UNBEATABLE PERFORMANCE

Higher torque capacities, deeper decks and our innovative wing design ensure you'll mow more material in less time. Woods Batwing cutters set the standards for cut quality, distribution and ease of use, whether you're cutting brush or shredding stalks.

# ROTARY CUTTERS | 15' Batwing®

Maintain grassy fields, pastures, waterways, parks and airports; cut weeds and light brush up to 2.5 inches in diameter.



## BATWING.

### BW15.50

Shown with standard chain shielding

### TRACTOR PTO HP RANGE: 45 - 200 HP

**BW10.50** | 10.5-foot flex-wing rotary cutter

**BW15.50** | 15-foot flex-wing rotary cutter

The BW15.50 is ideal for cutting tall grasses and saplings up to 2.5 inches in diameter.

Here are just a few features exclusive to Woods that rotary cutter users like you told us were important in our 15-foot series.

- New patent-pending driveline lift assistance system makes it easy to hook up; standard on all models
- Rounded wings easily maneuver around obstacles and slice through tall brush while the curved leading edge shrugs off impact
- New gearbox seal technology reduces leaks and downtime and is backed by our six-year gearbox warranty, which includes the seals
- A steel tube around the perimeter absorbs shock and creates a stronger, longer-lasting machine
- Chain shielding is integrated with the frame to prevent damage
- Greasable Quick-Change blade pins are easy to remove

MODEL	BW10.50*/BW15.50
Tractor PTO HP Range	45–200 hp
Cutting Height	2–15"
Cutting Capacity	2.5" dia
Cutting Width	126" / 180"
Blade Tip Speed	15,000 fpm at 540 rpm 16,000 fpm at 1000 rpm
Weight	4,040 lbs / 4,340 lbs
Tongue Weight	1,150 lbs / 1,200 lbs
Center Deck / Wing Deck	10 gauge
Side Skirt Thickness	.25"
Side Skirt Depth	13"
Transport Width	96"
Stump Jumper	Round
Flex	90° up, 22° down
Driveline Rating	CAT 6 CV main / CAT 4 wing
Splitter Gearbox Rating	210 hp
Wings Gearbox Rating	200 hp
Output Shaft Size	2" dia
Gearbox Warranty	6 years
Options	<ul style="list-style-type: none"> <li>• double row chain shielding</li> <li>• dual wheels</li> <li>• LED lights</li> </ul>

\* Single-wing version



# ROTARY CUTTERS | 15' Batwing®

Maintain grassy fields, pastures, waterways, parks and airports; cut heavier brush and trees up to 4.5 inches in diameter.



## TRACTOR PTO HP RANGE: 55 - 275 HP

**BW10.60** | 10.5-foot flex-wing rotary cutter  
**BW15.60** | 15-foot flex-wing rotary cutter

The BW15.60 easily powers through tall brush and trees up to 4 inches in diameter.

## TRACTOR PTO HP RANGE: 65 - 300 HP

**BW10.70** | 10.5-foot flex-wing rotary cutter  
**BW15.70** | 15-foot flex-wing rotary cutter

The rugged BW15.70 can tame the harshest conditions – heavy brush and trees up to 4.5 inches in diameter. Ideal for professional and contract cutting.

## BATWING®

### SLOPED DECK

Smooth and sloped seven-gauge steel decks shed water and debris; deck design and baffling helps recut material, ensuring a finer shred and more even distribution

### GEARBOXES

Massive, heavy-duty gearboxes deliver more cutting power and performance with a six-year limited warranty



**BW15.60**  
Shown with standard chain shielding

# ROTARY CUTTERS | 15' Batwing®

MODEL	BW10.60* / BW15.60	BW10.70* / BW15.70
Tractor PTO HP	55-275	65-300
Cutting Height	2" - 15"	
Cut Capacity	4" dia	4.5" dia
Cutting Width	126" / 180"	
Blade Tip Speed	15,700 fpm at 540 rpm 16,000 fpm at 1000 rpm	
Weight	4,400 lbs / 4,600 lbs	5,500 lbs / 5,290 lbs
Tongue Weight	1,350 lbs	1,490 lbs
Center Deck / Wing Deck	7 gauge	1/4"
Side Skirt Thickness	.25"	
Side Skirt Depth	13"	
Transport Width	96"	
Stump Jumper	Round	
Flex	90° up / 22° down	
Driveline Rating	CAT 6 CV main CAT 4 wing	CAT 6 CV main CAT 5 wing
Splitter Gearbox Rating	275 hp	
Wings Gearbox Rating	225 hp	
Output Shaft Size	3" dia	
Gearbox Warranty	6 years	
Options	<ul style="list-style-type: none"> <li>• double row chain shielding</li> <li>• dual wheels</li> <li>• LED lights</li> <li>• shredding kit</li> <li>• deck ring</li> <li>• spring axle</li> <li>• full walking tandem</li> </ul>	<ul style="list-style-type: none"> <li>• double row chain shielding</li> <li>• dual wheels</li> <li>• LED lights</li> <li>• shredding kit</li> <li>• deck ring</li> <li>• spring axle</li> <li>• full walking tandem</li> </ul>

\* Single-wing version

- New patent-pending driveline lift assistance system makes it easy to hook up
- Rounded wings easily maneuver around obstacles and slice through tall brush while the curved leading edge shrugs off impact
- New gearbox seal technology reduces leaks and downtime and is backed by our six-year gearbox warranty, which includes the seals
- A steel tube around the perimeter absorbs shock and creates a stronger, longer-lasting machine
- Chain shielding is integrated with the frame to prevent damage
- Greasable Quick-Change blade pins are easy to remove

## PLUS,

- Beefy, heavy-duty skid shoes prevent gouging and protect the deck
- Strategically placed, welded baffles cut and distribute debris evenly
- Center and wing decks feature high-strength 7 gauge steel (.60) or .25 inch thick steel (.70) for added durability
- The side skirt is 13 inches deep and made of .25 inch thick steel for greater material capacity and the strength to manage it
- For added toughness in extreme conditions, the .60 and .70 models have a 3-inch gearbox output shaft and optional deck ring
- Other options include LED lights, double row chain shielding, dual wheels and, for the .60 and .70 models, a shredding kit for added versatility

## SKID SHOES

Bolt-on, heavy-duty skid shoes with an "approachable" leading edge reduce sod damage when turning



## BW15.70

Shown with standard chain shielding



# ROTARY CUTTERS | 20' Batwing®

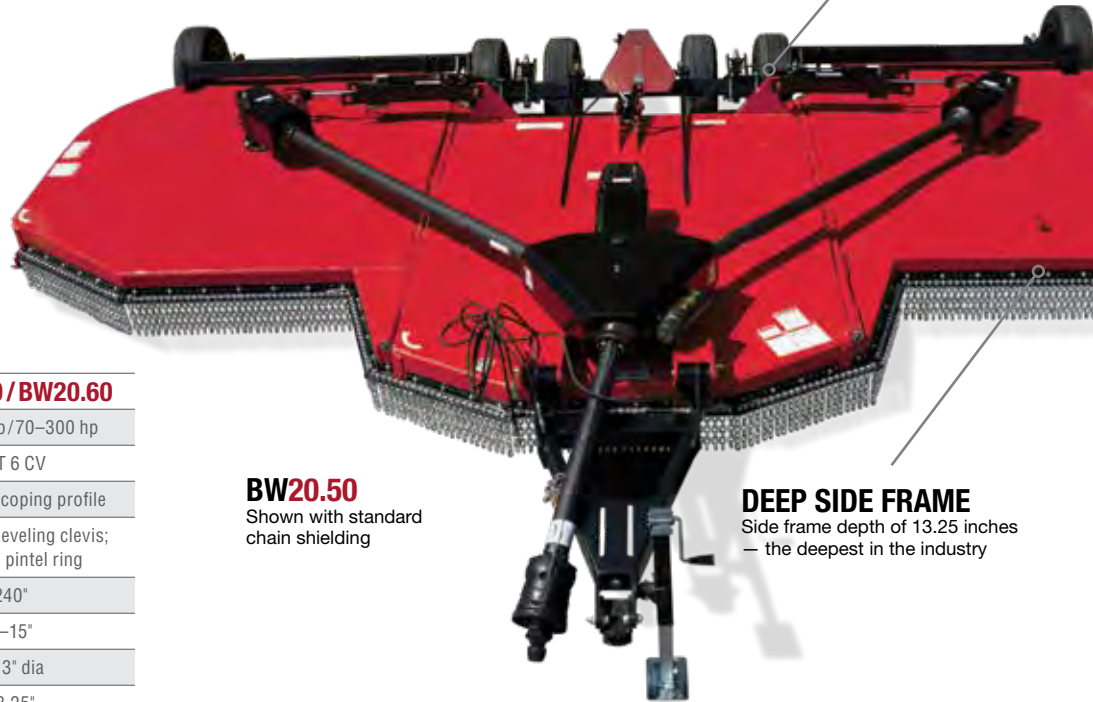
## GREASABLE PIVOT PINS

Greasable pivot points are located on turnbuckle and axle arms to increase durability and reduce wear



## QUICK-CHANGE GREASABLE BLADE SYSTEM

Woods' exclusive Quick-Change blade system allows for easy changing of blades from the top of the deck



### BW20.50

Shown with standard chain shielding

### DEEP SIDE FRAME

Side frame depth of 13.25 inches — the deepest in the industry

MODEL	BW20.50 / BW20.60
Tractor PTO HP Range	70–200 hp / 70–300 hp
Main Driveline	CAT 6 CV
Wing Driveline	CAT 4 telescoping profile
Tractor Hitch	clevis/self-leveling clevis; optional pintel ring
Cutting Swath	240"
Cutting Height	2–15"
Cutting Capacity	2"/3" dia
Side Frame Depth	13.25"
Tractor PTO rpm	540 or 1,000
Transport Width	123"
Overall Width x Length	250" x 198"
Deck Type	smooth, sloped
Deck Thickness	.135"
Side Frame Thickness	.25"
Hinges/Hinge Rod Diameter	1"
Weight	6,510 / 6,600 lbs
Number of Gearcases	4
Vertical Shaft Size	2"/2.38"
Splitter/Wing HP	250 / 120 / 250 / 205 hp
Blade Thickness	.5"
Blade Width	4"
Blade Type	hi-lift, flat or shredder
Blade Overlap	6"
Blade Tip Speed at 540 rpm	15,450 fpm
Blade Tip Speed at 1,000 rpm	16,300 fpm
Material Flow System	standard baffles
Stump Jumper Type	standard round-welded
Hydraulics Wing Flex	90° up, 22° down
Suspension	standard spring suspension or tandem spring arms
Wheel Type	15" rims; 21" laminated; 24" new Ag; or 29" used aircraft
Cutting Area Shielding	single or double chain
Gearbox Warranty (limited)	6 years

## TRACTOR PTO HP RANGE: 70 - 200 HP

### BW20.50 | 20-foot Dual-wing Cutter

- Main driveline: CAT 6 CV
- Cuts brush up to 2 inches in diameter
- Walking tandem axle available

## TRACTOR PTO HP RANGE: 70 - 300 HP

### BW20.60 | 20-foot Dual-wing Cutter

- Maintain driveline: CAT 6 CV
- Cuts brush up to 3 inches in diameter
- Side frame depth of 13.25 inches — the deepest in the industry
- Optional shredding kit

\* **NOTE:** All Batwing models pass all applicable safety standards for thrown object without chain shielding. However, if these units will be used in areas where the possibility of thrown objects could be hazardous to persons or property, it is strongly recommended that chain shielding be used for extra protection.



# ROTARY CUTTERS | 20' Batwing®

**TRACTOR PTO HP RANGE: 70 - 300 HP**

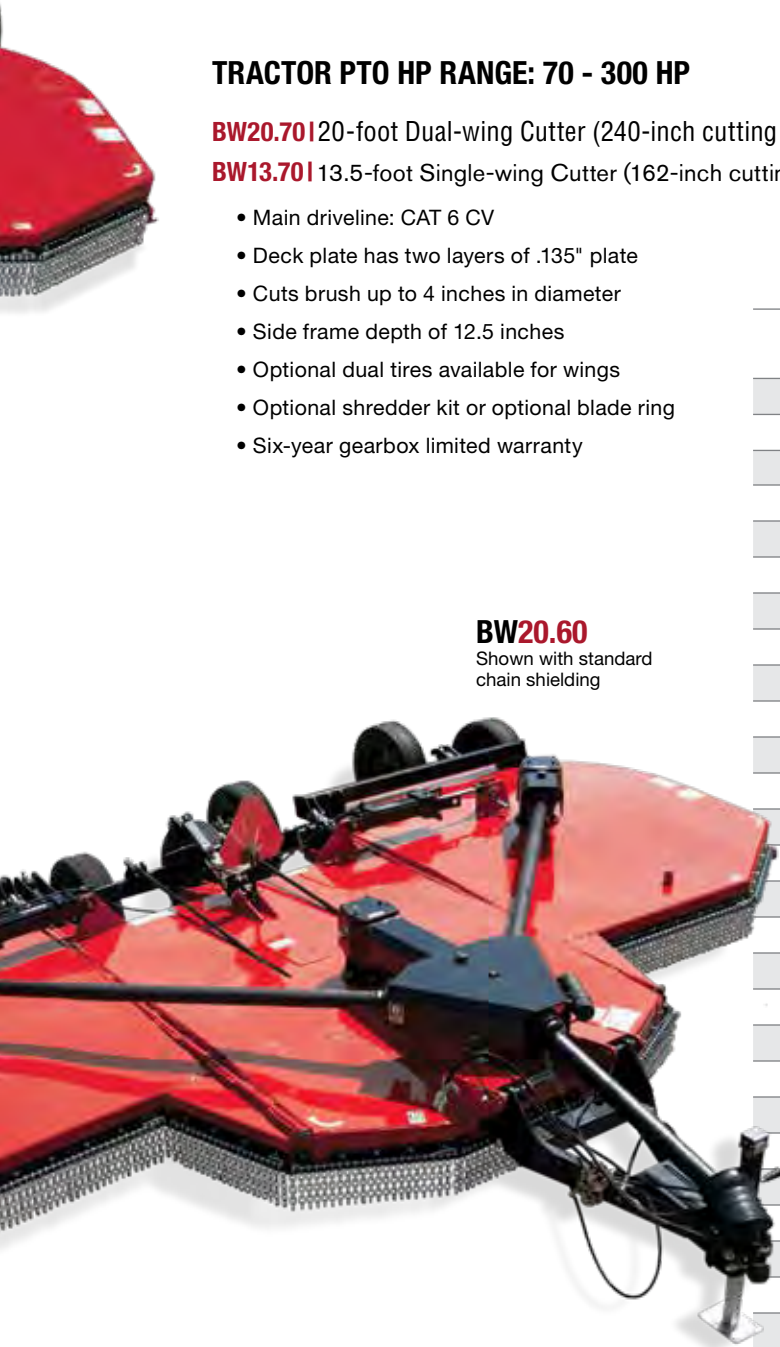
**BW20.70** 20-foot Dual-wing Cutter (240-inch cutting swath)

**BW13.70** 13.5-foot Single-wing Cutter (162-inch cutting swath)

- Main driveline: CAT 6 CV
- Deck plate has two layers of .135" plate
- Cuts brush up to 4 inches in diameter
- Side frame depth of 12.5 inches
- Optional dual tires available for wings
- Optional shredder kit or optional blade ring
- Six-year gearbox limited warranty

**BW20.60**

Shown with standard chain shielding



MODEL	BW20.70	BW13.70 (SINGLE-WING)
Tractor PTO HP Range	70–300 hp	
Main Driveline	CAT 6 CV	
Wing Driveline	CAT 5	
Tractor Hitch	self-leveling swivel clevis; optional pintle ring	
Cutting Swath	240"	162"
Cutting Height	2–15"	
Cutting Capacity	4" dia	
Side Frame Depth	12.5"	
Tractor PTO rpm	540 or 1,000	
Transport Width	123"	100"
Overall Width x Length	250" x 198"	171" x 198"
Deck Type	smooth, sloped double-deck	
Deck Thickness	.135"/.135" upper/lower	
Side Frame Thickness	.25"	
Hinges/Hinge Rod Diameter	1" full length	
Weight	7,740 lbs	8,500 lbs
Number of Gear cases	4	3
Vertical Shaft Size	2.38"	
Splitter Wing HP	250/210 hp	
Blade Thickness	.5"	
Blade Width	4"	
Blade Type	hi-lift, flat or shredder kit	hi-lift, flat
Blade Overlap	6"	
Blade Tip Speed at 540 rpm	15,450 fpm	
Blade Tip Speed at 1,000 rpm	16,650 fpm	
Material Flow System	standard baffles	
Stump Jumper Type	standard round-welded	
Hydraulics Wing Flex	90° up, 22° down	left or right wing – 90° up, 22° down
Suspension	standard spring suspension or optional tandem spring arms	
Wheel Type	15" rims; 21" laminated; 24" new Ag; or 29" used aircraft	
Cutting Area Shielding	single or double chain	
Gearbox Warranty (limited)	6 years	



# ROTARY CUTTERS | **Single-spindle**



# RC60.20

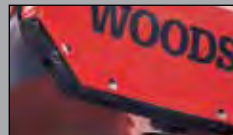
## WOODS RC-SERIES ROTARY CUTTERS



Strong, fabricated tail wheel assembly with solid, laminated tire



Breaklink allows cutter to float and follow terrain for better cut quality



Optional bolt-on replaceable skid shoes for longer wear



Optional chain shielding for added protection from thrown objects



# AN ECONOMICAL ROTARY CUTTER FOR MAINTAINING GRASSY PASTURES, OPEN FIELDS AND RECREATIONAL TRAILS.

RC-Series Single-spindle Rotary Cutters are the ideal attachment to get the most from your compact or sub-compact tractor. Designed for durability and built with high-strength steel, we confidently stand behind this product with a three-year gearbox warranty.

## TRACTOR PTO HP RANGE: 15 - 50 HP

**RC42.20** | 3.5-ft     **RC48.20** | 4-ft  
**RC60.20** | 5-ft     **RC72.20** | 6-ft

- Four cutting widths to fit the size of your job
- Unique smooth, sloped decks are easy to clean and reduce build-up of water and debris
- Stump jumpers are standard on all models for added driveline protection
- High-strength steel and quality parts provide dependable service year after year
- Three-year gearbox warranty is one of the best in the industry

MODEL	RC42.20	RC48.20	RC60.20	RC72.20
Tractor PTO HP	15 - 40 hp		20 - 50 hp	
Hitch Category	CAT 1			
Cutting Width	3.5'	4'	5'	6'
Cutting Height Range	2" - 9"			
Cutting Capacity	1" dia			
Gearbox Horsepower	50 hp			
Blade Tip Speed	11,460 fpm	13,100 fpm	13,620 fpm	14,340 fpm
Deck Side Depth	7"			
Weight	360 lbs	410 lbs	494 lbs	575 lbs
Blade Dimensions	.5" x 3"			
Blade Carrier	oval stump jumper			
Tail Wheel	4" x 16" laminated			
Driveline Protection	shear-bolt or slip-clutch			
Frame & Deck Support	3/8" rails			
Tractor PTO Speed	540 rpm			
Quick-Hitch Ready	yes			
Cutting Area Shielding	belt standard / chain shielding optional			
Warranty (cutter/gearbox)	1 year / 3 years			



### HEAVY-DUTY TAIL WHEEL ASSEMBLY

Formed, reinforced A-frame resists bending when backing into immovable objects

**RC72.20**  
 Shown with optional chain shielding



# ROTARY CUTTERS | **BrushBull™ Single-spindle**

## RUGGED AND RELIABLE, THE WOODS BRUSHBULL™ IS BUILT TO TACKLE YOUR TOUGHEST BRUSH CUTTING CHORES.

Our most popular models are ideal for clearing brush along fence rows, maintaining miles of interstate highways, and cutting overgrown grass, weeds and brush wherever you need to tame the land.



### START AT THE BEGINNING

Since 1946, Woods has grown to become the undisputed cutter expert. This legacy began with development of the first tractor-mounted rotary cutter and continues today with unmatched product innovations such as greasable Quick-change blade pins and a smooth, sloped deck that sheds debris.

And yet, we still go back to customers like you before redesigning a product. Erasing preconceptions, we listen – really listen – to what you need and value. Then, Woods Engineers go to work creating a product that you will love to use.

Finally, we make it just a bit more durable, kick up the performance and add style, because that's what people expect from Woods.

Newly redesigned, the top-selling Woods BrushBull™ is easy to use and maintain, delivers superior cut quality and performance, and looks good doing it. Year after year after year.



**NEW**

2020

**TRACTOR PTO HP RANGE: 15 - 90 HP**

**BB48.30** | 48-inch

**BB60.30** | 60-inch

**BB72.30** | 72-inch

- Three-point hitch: CAT 1.
- Cuts brush up to two inches in diameter and nine inches tall.
- Six-year limited gearbox warranty includes the seals.
- A deep deck, with half-inch by four-inch blades and rear baffling work together to evenly cut and distribute large amounts of material, for a superior cut quality.



**BB72.30**

Shown with optional chain shielding

**NEW**

2020

**TRACTOR PTO HP RANGE: 35 - 90 HP**

**BB84.40** | 84-inch

- Three-point hitch: CAT 1 & 2.
- Cuts brush up to two inches in diameter and twelve inches tall.
- Six-year limited gearbox warranty includes the seals.
- Eleven-inch deep deck, with half-inch by four-inch blades and rear baffling work together to evenly cut and distribute large amounts of material, for a superior cut quality.
- Choose an optional dual tailwheel or check chain, for adjusting the mowing height.



MODEL
Tractor PTO HP
Hitch Category/Type
Cutting Width (inches)
Total Weight (lbs)
Cutting Capacity Diameter (inches)
Cutting Height (inches)
Transport Width (inches)
Overall Length (inches)
Tractor PTO Speed (rpm)
Quick-hitch Compatible
Rear Bumper
Frame & Deck Support
Deck Construction
Skid Shoes
Deck Thickness
Side Frame Thickness (inches)
Side Frame Depth (inches)
Gearbox Warranty
Gearbox HP
Output Shaft Diameter (inches)
Blade Tip Speed
Blade Dimensions (inches)
Blade Pin Diameter (inches)
Blade Carrier
Driveline Protection
Options

BB48.30	BB60.30	BB72.30	BB84.40
15-50 hp	25-50 hp	30-75 hp	35-90 hp
CAT 1 clevis			CAT 1 & 2 clevis
48"	60"	72"	84"
590	672	811	1,041
2"	2"	2"	2"
1" - 9"			2" - 12"
55"	67"	79"	91"
86"	99"	111"	124"
540			540
yes			yes
Z-channel			Z-channel
3" x 3" tube			3" x 3" tube
smooth top, sloped			smooth top, sloped
full-length, replaceable			full-length, replaceable
12 ga (.105")		11 ga (.120")	11 ga (.120")
10 ga (.135")			10 ga (.135")
10.5"			11.6"
6-year limited			6-year limited
65 hp	65 hp	75 hp	90 hp
1.57"			2"
13,000 fpm	14,335 fpm	14,963 fpm	15,086 fpm
.50" x 4"			.50" x 4"
1.50"			1.50"
oval stump jumper			oval stump jumper
slip-clutch			slip-clutch
check chain			check chain, dual tailwheel



# ROTARY CUTTERS | **BrushBull™ Single-spindle**

## **SUPERIOR DESIGN**

Customers like you told us what's important in a single-spindle cutter. Then, we redesigned our premium BrushBull cutter to meet – and exceed – your needs. An adjustable drive lift hanger and Quick-hitch compatibility make it easy to attach. A large access window on top of the deck and our exclusive, greasable Quick-change blade pins make blade changes easy, even in the field. But, you're not sacrificing performance for ease. A deep deck, large half-inch by four-inch blade and welded baffle work together, creating a strong suction that lifts, then evenly cuts and distributes large amounts of material.

## **SUPERIOR DURABILITY**

Choose a BrushBull for the hours of testing in extreme conditions, and a Z-shaped, high-strength steel bumper that's twice as thick as competitive models, for added durability when backing over tough brush. Or, choose Woods for the advanced gearbox seal technology that's so good our 6-year limited warranty includes the seals. That's worry-free reliability.

## **SUPERIOR STYLE**

Woods was the first to introduce a smooth, sloped deck that sheds debris. And, raising components off the deck makes clean-up easy. Front corners angle back to give operators more room between the tractor tire and cutter.



**SUPERIOR DESIGN**  
**SUPERIOR DURABILITY**  
**SUPERIOR STYLE**

Adjustable driveline hanger makes it easier to attach, and is standard on all models.

Corners angle back to give operators more room between the tractor tire and cutter.

Full-length, bolt-on skid shoes protect the deck and are easy to change. Adjust the height on heavy-duty models.

Smooth, sloped deck sheds debris and is easy to clean.



# ROTARY CUTTERS | **BrushBull™ Single-spindle**



New, advanced gearbox seal technology is designed for harsh conditions, reduces leaks and downtime and is backed by our six-year gearbox warranty, which includes the seals.

Greasable Quick-change blade pins are easy to maintain and remove.



A large blade access hole makes it easy to reach our exclusive Quick-change pins and quickly change the blade from the top of the deck.



**BB60.30**  
Shown with optional chain shielding

High-strength steel bumper is 2-times thicker than competitive models, with a Z-channel frame for added durability when backing over tough brush.

## **SUPERIOR DESIGN, DURABILITY AND STYLE UNDER THE DECK, TOO!**



Rear baffle, standard on all models, concentrates the airflow and ensures cut material is distributed evenly.

The large 1/2-inch by 4-inch blades and extra deep deck precisely cut large amounts of material.

A beefier, heavy-duty crossbar and 1/4-inch steel stump jumper protect the undercarriage from extreme conditions.

The frame is built with full-length 3-inch by 3-inch tubes and channels for extra durability.



# ROTARY CUTTERS | **BrushBull™ Single-spindle**

**NEW**  
2020

## TRACTOR PTO HP RANGE: 30 - 120 HP

**BB60.50** | 60-inch

**BB72.50** | 72-inch

**BB84.50** | 84-inch

- Three-point hitch: CAT 1 & 2, CAT 2 & 3.
- Cuts brush up to three inches in diameter and twelve inches tall.
- Six-year limited gearbox warranty includes the seals.
- High-strength 10 gauge steel deck manufactured for tough conditions.
- A deep deck, with half-inch by four-inch blades and rear baffling work together to evenly cut and distribute large amounts of material, for a superior cut quality.
- Options include round stump jumper, check chains for height adjustments, and dual tail wheel on model BB84.50.

MODEL	BB60.50	BB72.50	BB84.50
Tractor PTO HP	30-150 hp		40-150 hp
Hitch Category/Type	CAT 1 & 2 clevis		CAT 2 & 3 clevis
Cutting Width (inches)	60"	72"	84"
Total Weight (lbs)	975	1125	1335
Cutting Capacity Diameter (inches)	3"		
Cutting Height (inches)	2" - 12"		
Transport Width (inches)	67.3"	79.3"	91.3"
Overall Length (inches)	100v	112"	124"
Tractor PTO Speed (rpm)	540		
Quick-hitch Compatible	yes		
Rear Bumper	Z-channel		
Frame & Deck Support	3" x 3" tube		
Deck Construction	smooth top, sloped		
Skid Shoes	full-length, replaceable		
Deck Thickness	10 ga (.135")		
Side Frame Thickness (inches)	0.25"		
Side Frame Depth (inches)	12.7"		
Gearbox Warranty	6-year limited		
Gearbox HP	150 hp		
Output Shaft Diameter (inches)	2"		
Blade Tip Speed	15,525 fpm	15,900 fpm	16,000 fpm
Blade Dimensions (inches)	.50" x 4"		
Blade Pin Diameter (inches)	1.5"		
Blade Carrier	diamond stump jumper, optional round		
Driveline Protection	slip-clutch		
Options	check chains, round stump jumper	check chains, round stump jumper, dual tailwheel	



**BB72.50**  
BrushBull frame

## COUNT ON THE INTEGRITY OF THE BRUSHBULL FRAME

- Stress points are tied to full-length 3-inch by 3-inch tubes, not on the deck plate, for added stability.
- A full frame design means strength and durability are built into every BrushBull from the frame out.
- The rear bumper is a Z-shaped channel that's two-times thicker than competitive models, adding structural integrity when backing over brush.

# ROTARY CUTTERS | **BrushBull™ Single-spindle**

Put our products to the test in your own backyard. Rugged, dependable and productive – Woods rotary cutters are designed for the extremes of real world use.

**NEW**  
2020

## TRACTOR PTO HP RANGE: 40 - 200 HP

**BB60.60** | 60-inch

**BB72.60** | 72-inch

**BB84.60** | 84-inch

- Three-point hitch: CAT 1 & 2, CAT 2 & 3.
- Cuts brush and saplings up to four inches in diameter and twelve inches tall.
- Six-year limited gearbox warranty includes the seals.
- High-strength 10 gauge steel deck is made for extreme conditions.
- Deck is 12.7 inches deep, with half-inch by four-inch blades, and rear baffling that work together to evenly cut and distribute large amounts of material, for a superior cut quality.
- Options include round stump jumper, check chains for height adjustments, and dual tail wheel on model BB84.60.

MODEL	BB60.60	BB72.60	BB84.60
Tractor PTO HP	40-150 hp	50-210 hp	65-210 hp
Hitch Category/Type	CAT 1 & 2 clevis		CAT 2 & 3 clevis
Cutting Width (inches)	60"	72"	84"
Total Weight (lbs)	1045"	1210"	1440"
Cutting Capacity Diameter (inches)	4"		
Cutting Height (inches)	2" - 12"		
Transport Width (inches)	67.3"	79.3"	91.3"
Overall Length (inches)	100"	112"	124"
Tractor PTO Speed (rpm)	540		
Quick-hitch Compatible	yes		
Rear Bumper	Z-channel		
Frame & Deck Support	3" x 3" tube		
Deck Construction	smooth top, sloped		
Skid Shoes	adjustable height full-length, replaceable		
Deck Thickness	10 ga (.135")		
Side Frame Thickness (inches)	0.25"		
Side Frame Depth (inches)	12.7"		
Gearbox Warranty	6-year limited		
Gearbox HP	210 hp		
Output Shaft Diameter (inches)	3"		
Blade Tip Speed	13,570 fpm	13,945 fpm	14,250 fpm
Blade Dimensions (inches)	.50" x 4"		
Blade Pin Diameter (inches)	1.5"		
Blade Carrier	diamond stump jumper, optional round		
Driveline Protection	slip-clutch		
Options	check chains, round stump jumper	check chains, round stump jumper, dual tailwheel	



**BB72.60**  
Shown with standard chain shielding



# ROTARY CUTTERS | Ditch Bank



## TRACTOR PTO HP RANGE: 60 - 150 HP

**DBH5.31** | 60-inch

**DBH6.31** | 72-inch

- Highest-rated cutting horsepower in its class – full 40 hp at cutting head
- Only 6-foot model on the market – Choose 5 foot or 6 foot model
- Narrow 119" transport width – no frame overhang, even on 6 foot units
- Fixed counter weight position does not extend beyond width of road lane
- Cuts at almost any angle with +/- 90° flex (90° up, 90° down)
- Optional hydraulic cooling system for extreme conditions
- Cuts vegetation up to 2 inches in diameter
- Quick-Change blade system allows easy blade changes from top of the deck
- Quick-hitch ready

### DBH6.31

Shown with optional chain shielding

MODEL	DBH5.31	DBH6.31
Tractor PTO HP Range	60 - 150 hp	
Tractor PTO Speed	540 / 1,000 rpm	
Cutting Width	60"	72"
Cutting Capacity	2" dia	
Cutting Height	2" - 10"	
Transport Width	119"	
Side Shift	30"	
Reach: Tractor Center to Outside of Cutter	158"	168"
Overall Length	72"	84"
Flex Range Angles	90° up, 90° down	
Approximate Weight (without hyd oil)	2,000 lbs	2,300 lbs
Tractor Weight Min.	6,000 lbs	
3-point Hitch Lift Capacity Min.	2,500 lbs	
Max HP at Cutting Head	40 hp	
Hitch	CAT 2/3, CAT 2 & 3 QH	
Blades	1/2" x 4"	
Blade Tip Speed at 540 rpm	15,800 fpm	18,900 fpm
Blade Tip Speed at 1000 rpm	16,000 fpm	17,700 fpm
Cutter Deck Thickness	0.135" (10 gauge)	
Deck Side Depth	9.4"	9.5"
Side Frame Thickness	0.135"	
Shielding	chain standard	
Gauge Wheels	optional	
Tail Wheel	optional - frame mounted	
Cooler	optional	
Hydraulic Tank Capacity	35-Gallon	

The all-new and improved hydraulic-drive Woods Ditch Bank Rotary Cutter is a rugged and versatile tool, precision-engineered for maintaining ditches, roadways, ponds and waterways.

# ROTARY CUTTERS | Multi-spindle

Durable and easy-to-use cutters for both brush cutting and crop shredding.



**DS10.50**

## EASY TO USE

The proven leader in the cutter business delivers a full line of easy-to-use standard- and heavy-duty rotary cutters loaded with features for every application.

- You'll cross steep inclines and ditches with ease as the floating hitch keeps the weight off the cutter
- Switch cutting blades quickly and you'll be up and running in no time due to the large blade access window and the exclusive Woods Quick-Change blade pin system
- Change over to row crop applications in an instant with quick-adjust variable wheel spacing

## HARD TO BREAK

You'll rely on your Woods rotary cutter for years because we still manufacture them with the same dependable quality that we've delivered since 1946.

- Woods gearboxes feature heat-treated, alloy steel gears that stand up to the demands of rotary cutting
- Sloped-top decks shed water and debris to prevent rust and corrosion and wrap around a heavy steel super-structure\*
- Spring cushion axles reduce stress spikes to keep your Woods rotary cutter delivering high-performance cutting
- Factory-balanced stump jumpers are a standard feature that help you avoid hazards and save blades from wear and tear\*\*

\* N/A on belt-driven models

\*\* N/A on DS8.30 and DS10.40



# ROTARY CUTTERS | Multi-spindle

Durable and easy-to-use cutters for both brush cutting and crop shredding.

## 30- AND 40- SERIES DUAL-SPINDLES

### TRACTOR PTO HP RANGE: 35 - 75 HP

**DS8.30** | 96-inch, pull-type

**MDS8.30** | 96-inch, 3-point mounted

### TRACTOR PTO HP RANGE: 40 - 120 HP

**DS10.40** | 120-inch, pull-type

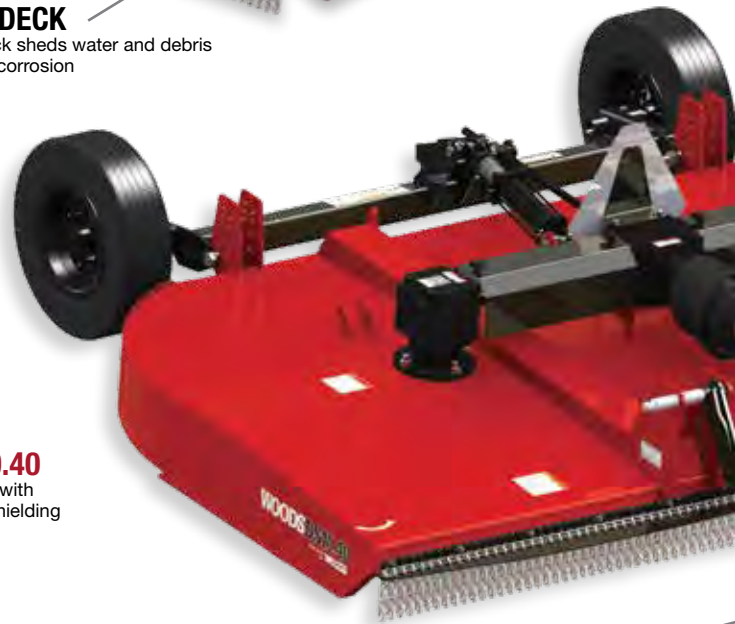
**MDS10.40** | 120-inch, 3-point mounted

- Cuts light brush up to 1.5-inches (30-Series) to 2-inches (40-Series) in diameter
- Six-year limited gearbox warranty



**DS8.30**  
Shown with chain shielding

**SLOPED TOP DECK**  
Smooth, sloped deck sheds water and debris to prevent rust and corrosion



**DS10.40**  
Shown with chain shielding

**CV DRIVE**  
Less maintenance, smoother operation

# ROTARY CUTTERS | Multi-spindle



**DS8.30**  
Shown with chain shielding



MODEL	<b>DS8.30 (pull-type) MDS8.30 (three-point mounted)</b>	<b>DS10.40 (pull-type) MDS10.40 (three-point mounted)</b>
Minimum Tractor PTO HP	35 hp pull-type, 45 hp mounted	40 hp pull-type, 60 hp mounted
Hitch Category / Type	pull-type: pivoting clevis mounted: CAT 1 or 2 / clevis	pull-type: pivoting clevis mounted: CAT 2 or 3 / clevis
Cutting Width	96"	120"
Cutting Height Range	2-12"	
Cutting Capacity	1.5" dia	2" dia
Gearbox HP Rating	100 hp center, 75 hp spindle	120 hp center, 90 hp spindle
Blade Tip Speed	15,200 fpm	16,700 fpm
Deck Side Depth	10"	
Deck Thickness	10 ga. (135")	
Overall Width	100"	124"
Overall Length	pull-type: 142" (25" tires) mounted: 96"	pull-type: 155" (25" tires) mounted: 110"
Approximate Weight	pull-type: 1,467 lbs mounted: 1,213 lbs	pull-type: 1,847 lbs mounted: 1,576 lbs
Blade Dimensions	.5" x 4"	
Wheel Selection	laminated, severe duty new ag, foam filled new ag, 15" rims	
Optional Dual Wheels - Pull-Type	no	
Quick-Hitch Ready	yes	
Gearbox Warranty	6 years	



# ROTARY CUTTERS | Multi-spindle

## 50- SERIES DUAL-SPINDLES

**TRACTOR PTO HP RANGE: 40 - 200 HP**

**DS8.50** | 96-inch, pull-type

**MDS8.50** | 96-inch, 3-point mounted

**DS10.50** | 120-inch, pull-type

**MDS10.50** | 120-inch, 3-point mounted

- Cuts brush up to 3 inches in diameter
- Variable wheel spacing
- Six-year limited gearbox warranty
- New gearbox seal technology reduces leaks and downtime and is backed by our six-year gearbox warranty, which includes the seals

### TUBULAR FRONT FRAME

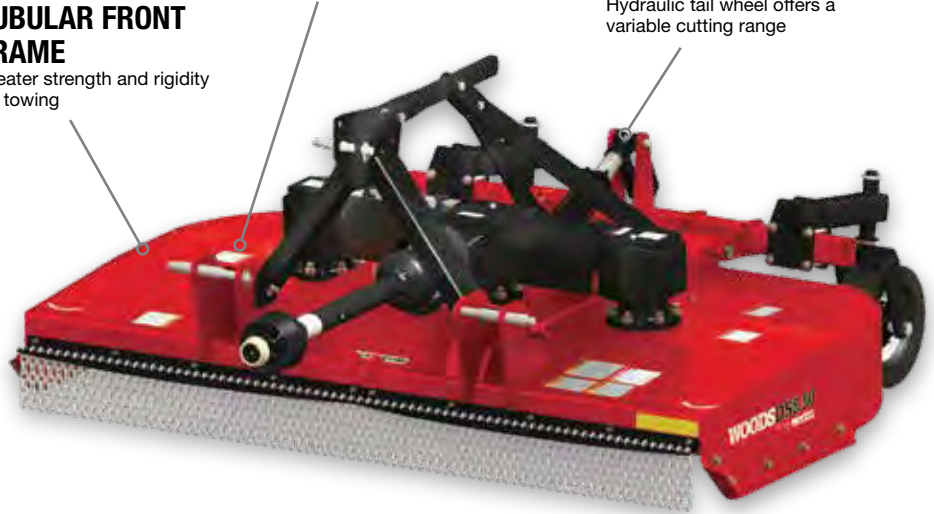
Greater strength and rigidity for towing

### QUICK-CHANGE BLADE PINS

Easy to replace Quick-Change blade pins under the deck reduce downtime

### HYDRAULICALLY ADJUSTABLE TAIL WHEEL

Hydraulic tail wheel offers a variable cutting range



### MDS8.50

Shown with chain shielding

MODEL	DS8.50 (pull-type) MDS8.50 (three-point mounted)	DS10.50 (pull-type) MDS10.50 (three-point mounted)
Minimum Tractor PTO HP	40 hp pull-type 55 hp mounted	50 hp pull, 65 hp mounted
Hitch Category / Type	pull-type: pivoting clevis mounted: CAT 2 or 3 / clevis	
Cutting Width	96"	120"
Cutting Height Range	2-12"	
Cutting Capacity	3" dia	
Gearbox HP Rating	205 hp center, 160 hp spindle	
Blade Tip Speed	540 rpm / 14,886 fpm	540 rpm / 15,974 fpm, 1000 rpm / 16,232 fpm (MDS)
Deck Side Depth	13"	
Deck Thickness	10 ga. (135")	
Overall Width	103"	127"
Overall Length	pull-type: 150" (25" tires) mounted: 99"	pull-type: 162" mounted: 111"
Approximate Weight	pull-type: 2,238 lbs mounted: 2,069 lbs	pull-type: 2,537 lbs mounted: 2,373 lbs
Blade Dimensions	.5" x 4"	
Wheel Selection	laminated, severe duty new ag, foam filled new ag, 15" rims, used aircraft	
Optional Dual Wheels - Pull-Type	yes	
Quick-Hitch Ready	yes	
Gearbox Warranty	6 years	

# ROTARY CUTTERS | Offset Dual-spindle

Woods' offset models reach far under canopies on either side of the tractor.



**DS08.50**

Shown with chain shielding

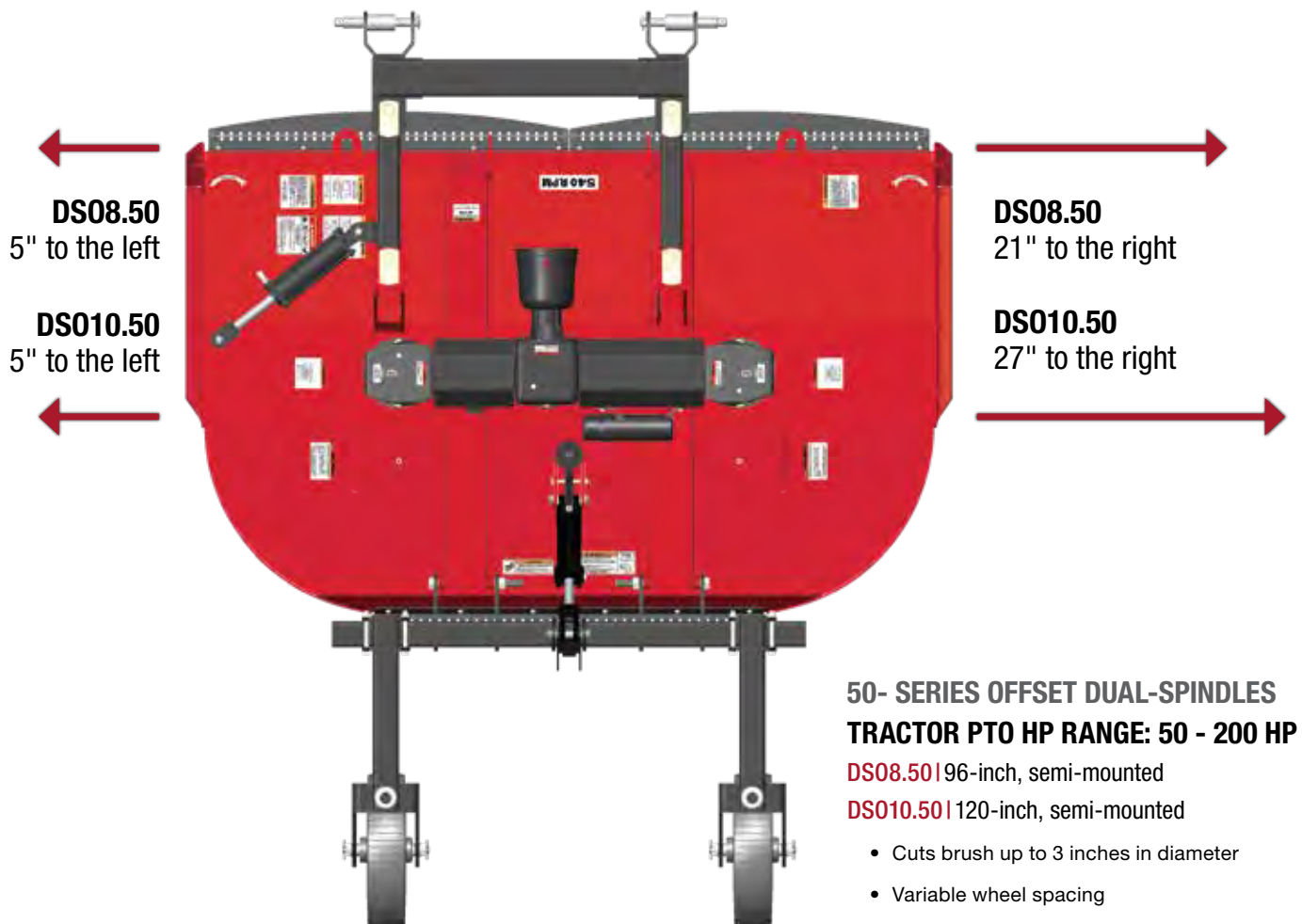
MODEL	DS08.50	DS010.50
Minimum Tractor PTO HP	semi-mounted: 40 hp	semi-mounted: 50 hp
Hitch Category/Type	CAT 2 or 3 / clevis	
Hydraulic Variable Offset	21" to the right, 5" to the left	27" to the right, 5" to the left
Cutting Width	96"	120"
Cutting Height Range	2-12"	
Cutting Capacity	3" dia	
Gearbox HP Rating	205 hp center, 160 hp blade spindle	205 hp splitter; 160 hp blade spindle
Gearbox Warranty	6 years	
Blade Tip Speed	540 rpm / 14,886 fpm;	540 rpm / 15,974 fpm;
Deck Side Depth	13"	
Deck Thickness	10 ga. (.135")	
Overall Width	103"	127"
Overall Length	122"	128"
Approximate Weight	2,335 lbs	2,510 lbs
Blade Dimensions	.5" x 4"	
Wheel Selection	21" laminated	



# ROTARY CUTTERS | Offset Dual-spindle

Woods' rugged and powerful 50-Series offset models are ideal for orchards, tree-lined fields and any setting with overhangs.

## HYDRAULIC VARIABLE OFFSET



### 50- SERIES OFFSET DUAL-SPINDLES TRACTOR PTO HP RANGE: 50 - 200 HP

**DS08.50** | 96-inch, semi-mounted

**DS010.50** | 120-inch, semi-mounted

- Cuts brush up to 3 inches in diameter
- Variable wheel spacing
- DS08.50 hydraulic variable offset 21 inches to the right or 5 inches left
- DS010.50 hydraulic variable offset 27 inches to the right or 5 inches left
- Six-year limited gearbox warranty
- New gearbox seal technology reduces leaks and downtime and is backed by our six-year gearbox warranty, which includes the seals





# FINISH MOWERS | Rear Discharge & Turf Batwing®



## PRD 7200

EVERY REAR-MOUNT MODEL IN THE WOODS LINE-UP OFFERS THE BEST FEATURES WITHIN OUR FULL LINE OF FINISH MOWERS.

- Designed for 15 - 75 horsepower tractors
- High performance gearboxes require less maintenance
- Floating lower hitch points allow the mower to follow uneven terrain
- Industrial quality, reinforced blade spindle is designed for years of service
- Available in a range of cutting widths from 4.5 to 7.5 feet





# DISCOVER THE PREMIUM CUT QUALITY THAT MAKES WOODS THE UNDISPUTED LEADER IN FINISH MOWERS.

## DESIGNED FOR SPEED

Woods finish mowers help you maintain a beautiful lawn in less time. You'll look forward to using and maintaining your equipment with features that focus on your drive to get more done.

- Unique to the industry, our rounded-front, tapered-side rear discharge deck allows you to mow with better maneuverability – reducing your trim time and increasing your productivity
- Spring-loaded idler arms automatically maintain the correct tension on our strong custom-made belts, providing optimum run time

## PRECISION AND QUALITY

For those who demand a professionally groomed lawn, Woods high-performance finish mowers ensure a clean, crisp, manicured appearance year after year.

- The combination of a deep deck, baffling and unique rear discharge design ensures exceptional material distribution and gives you the premium results that make the Woods name synonymous with “cut quality”
- Manufactured exclusively to Woods’ superior standards, heat-treated, alloy steel blades provide maximum performance and precision cutting in applications such as large lawns, parks and sporting fields
- Cast-iron belt sheaves with taper lock bushings and tapered roller bearings in the spindles offer exceptional strength and performance; standard on RD990X, PRD and TBW models



### **TBW180**

Shown with standard chain shielding



# FINISH MOWERS | Rear Discharge

## TRACTOR PTO HP RANGE: 15 - 35 HP

**RDC54** | 54-inch cutting width

**RD60** | 60-inch cutting width

**RD72** | 72-inch cutting width

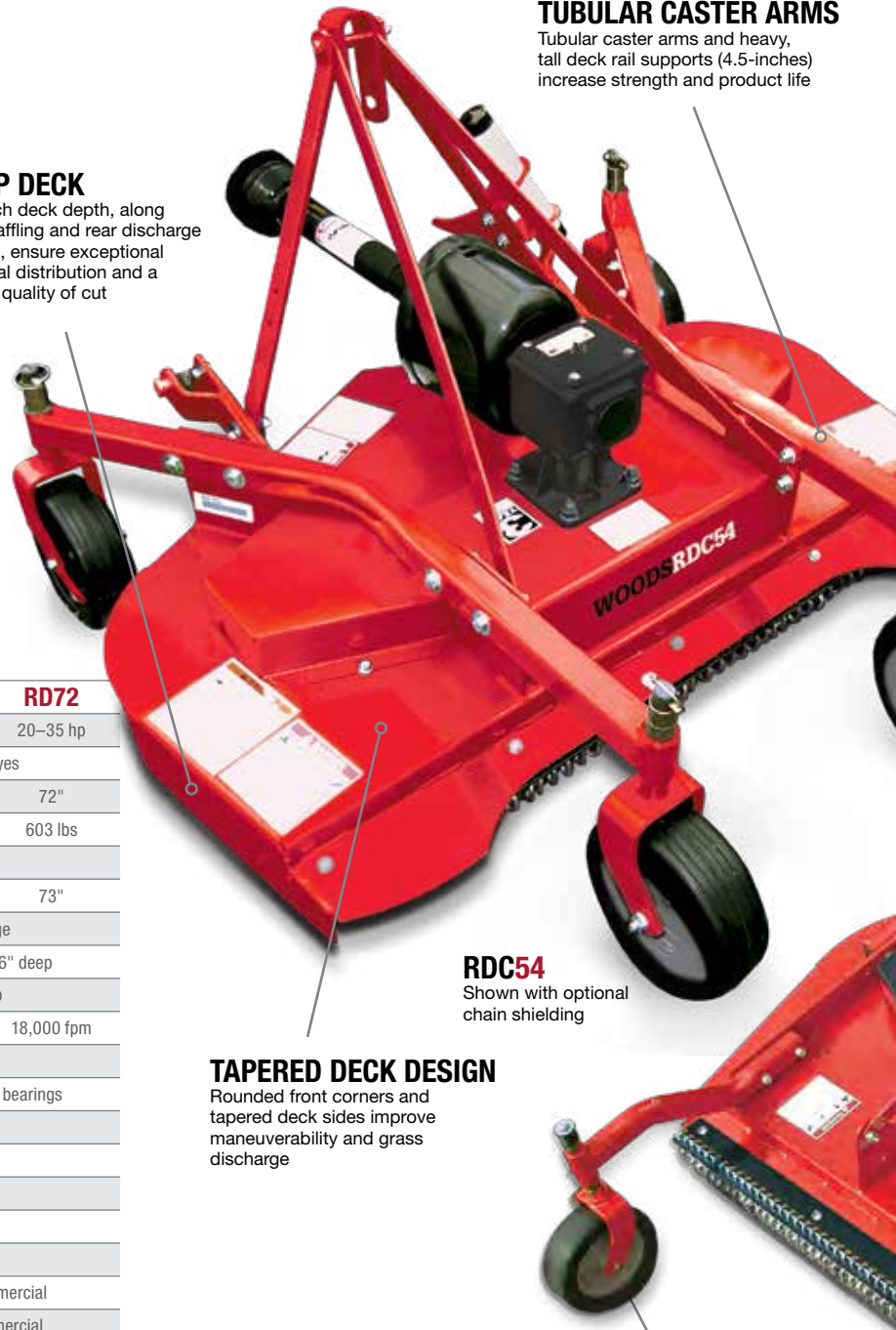
- Hitch: Limited CAT 1 and CAT 1
- Box-style construction for superior deck strength
- Cuts material up to 4.5 inch tall

### DEEP DECK

4.6-inch deck depth, along with baffling and rear discharge design, ensure exceptional material distribution and a higher quality of cut

### TUBULAR CASTER ARMS

Tubular caster arms and heavy, tall deck rail supports (4.5-inches) increase strength and product life



### RDC54

Shown with optional chain shielding

### TAPERED DECK DESIGN

Rounded front corners and tapered deck sides improve maneuverability and grass discharge

### ANTI-ROLL-OFF CASTERS

Roller bearing design and bolt-through solid rubber tires reduce possibility of roll-off

MODEL	RDC54	RD60	RD72
Tractor PTO HP Range	15–25 hp	15–35 hp	20–35 hp
Hitch/Quick-Hitch Compatible	Limited CAT 1 / no	CAT 1 / yes	
Cutting Width	54"	60"	72"
Weight	401 lbs	503 lbs	603 lbs
Cutting Height Range	1"–4.5"		
Overall Width	55"	61"	73"
Deck Material Thickness	10 gauge	8 gauge	
Side Skirt	10 gauge x 4.6" deep	8 gauge x 4.6" deep	
Gearbox HP Rating	25 hp	35 hp	
Blade Tip Speed	16,200 fpm	18,030 fpm	18,000 fpm
Blade Overlap	1"	1.5"	
Blade Spindles/Bearings	3 cast iron housings / greasable ball bearings		
Tractor PTO Speed	540 rpm		
Driveline Size	CAT 3		
Belt	B-section Kevlar®		
Belt Adjustment	spring-loaded idler		
Cutting Area Shielding	chain shielding		
Mower Warranty	1 year residential or 90 days commercial		
Gearbox Warranty (limited)	3 year homeowners, 1 year commercial		

\* NOTE: All RD-Series finish mower models pass all applicable safety standards for thrown object and blade contact without chain shielding. However, if these units will be used in areas where the possibility of thrown objects could be hazardous to persons or property, it is strongly recommended that optional chain shielding be used for extra protection.

# FINISH MOWERS | Rear Discharge

## TRACTOR PTO HP RANGE: 15 - 40 HP

**PRD6000** | 60-inch cutting width

**PRD7200** | 72-inch cutting width

**PRD8400** | 84-inch cutting width

- Three-point hitch: CAT 1
- Blade tip speeds: 18,100, 18,000 and 17,900 fpm
- Ideal for mowing large lawns, sports fields and parks
- Features a strong, eight-gauge steel deck and a powerful 60 hp gearbox

- Kevlar® belt with clutching cover protects parts and increases lifespan
- Anti-shimmy caster wheel springs reduce shock loads; tubular caster wheel arms add strength
- Floating top link helps prevent scalping
- Superior baffle design distributes material more evenly

### OFFSET CASTER ARMS

Caster arms can be adjusted inboard for more maneuverability and improved performance on rough ground (not available on PRD8400)



**PRD7200**  
Shown with optional chain shielding

MODEL	PRD6000	PRD7200	PRD8400
Tractor PTO HP Range	15-40 hp	20-40 hp	25-40 hp
Hitch/Quick-Hitch Compatible	CAT 1 / yes		
Cutting Width	60"	72"	84"
Weight	653 lbs	719 lbs	830 lbs
Cutting Height Range	1"-5.5"		1"-4.25"
Overall Width	62"	74"	86"
Deck Material Thickness	8 gauge		
Side Skirt	8 gauge x 5.375" with .563" diameter skid rod bumper		
Gearbox HP Rating	60 hp		
Blade Tip Speed	18,100 fpm	18,000 fpm	17,900 fpm
Blade Overlap	1.5"		2"
Blade Spindles/Bearings	3 cast iron housing / greasable, tapered roller bearings		
Tractor PTO Speed	540 rpm		
Driveline Size	CAT 3		
Belt	B-section Kevlar® with clutching cover		
Belt Adjustment	spring-loaded idler		
Cutting Area Shielding	chain shielding		
Mulching Kit	optional		
Mower Warranty	1 year		
Gearbox Warranty (limited)	6 years		
Spindle Warranty (limited)	3 years		



# FINISH MOWERS | Rear Discharge

## SIX-YEAR GEARBOX WARRANTY

With twice the oil capacity of many competitors and an improved breather system that maintains oil lubrication of gears, RD990X gearboxes carry a 6-year limited warranty to ensure years of worry-free performance

## TAPERED ROLLER BEARINGS

Tapered roller bearings in caster wheels provide superior performance and longevity in rough conditions



**RD990X**  
Shown with standard chain shielding

**REPLACEABLE SIDE SKIDS**  
Replaceable side skirts attach to heavy side frames for durability and long life

MODEL	RD990X
Tractor PTO HP Range	45-75 hp
Hitch/Quick-Hitch Compatible	CAT 1 & 2/yes
Cutting Width	90"
Weight	1,333 lbs
Cutting Height Range	1.5"-7"
Overall Width	97"
Deck Material Thickness	7 gauge
Side Skirt	.31" x 8.5" with skid shoes
Gearbox HP Rating	75 hp
Blade Tip Speed	17,000 fpm
Blade Overlap	2"
Blade Spindles/Bearings	3 cast iron housings / greasable tapered roller bearings
Tractor PTO Speed	540 rpm
Driveline Size	CAT 4
Belt	powerband w/double B-section
Belt Adjustment	spring-loaded idler
Cutting Area Shielding	chain shielding
Mulching Kit	-
Mower Warranty	1 year
Gearbox Warranty (limited)	6 years
Spindle Warranty (limited)	3 years

## TRACTOR PTO HP RANGE: 45 - 75 HP

RD990X | 90-inch cutting width

The Woods RD990X rear discharge finish mower is tough yet versatile enough to move from rough, weedy farmland to commercial lawns and landscapes.

- Three-point hitch: CAT 1 and 2
- Blade tip speed: 17,000 fpm
- Takes down grass and light weeds, and leaves a high grade finish cut behind
- Features a Quick-Change blade system, an extra strong double B-section belt and anti-wrap bars that prevent damage caused by material wrapped around lower spindle
- Deep deck, swinging blades and stump jumper are ideal for rough conditions
- Floating lower hitch points allow the mower to follow uneven terrain



# FINISH MOWERS | Turf Batwing®

Our flexible wing finish mowers deliver Woods proven cutting deck in a three-gang configuration.

## TRACTOR PTO HP RANGE: 25 - 60 HP ESTATE MODEL

**TBW150C** | 12.5-foot cutting width

- Three-point hitch: CAT 3
- Blade tip speed: 16,200 fpm
- Three decks mounted to heavy-duty trailer for triple cut capacity; mow up to seven acres per hour at five miles per hour

## TRACTOR PTO HP RANGE: 30 - 80 HP COMMERCIAL MODEL

**TBW144** | 12-foot cutting width

**TBW180** | 15-foot cutting width

**TBW204** | 17-foot cutting width

- Blade tip speeds: 18,000 fpm
- Tapered roller bearings in wheels and blade spindles
- Carrier bearing on the input driveline provides support, making it easier to attach to the tractor and allow tighter turns
- Standard six-year gearbox limited warranty and three-year spindle warranty
- Options include mulching kits on TBW180 and TBW204, highway light kit and anti-scalp roller kits on all three models

- Superior cutting capabilities are combined with contoured wing decks to let you quickly cut large, uneven areas of turf without sacrificing cut quality
- Rounded front, tapered rear deck design allows mowing close to objects without damage
- Round skid rod glides deck bottom over roots and uneven turf – adding strength to the deck skirt



**TBW180**

MODEL	TBW150C	TBW144	TBW180	TBW204
Tractor PTO HP Range	25–60 hp	30–80 hp	35–80 hp	40–80 hp
Input Driveline	CAT 3 (constant velocity)	CAT 4 (constant velocity)		
Wing Drivelines	CAT 3			
Cutting Width	12.5'	12'	15'	17'
Cutting Height Range	1"–4.5"			
Wing Deck Cutting Width	54"	48.5"	60"	72"
Deck Overlap	6.15"	6.5"	6"	6"
Overall Width	151"	146"	182"	206"
Transport Width	93"	96"	100"	114"
Maximum Overall Length	135"	173"	183"	
Transport Length	126"	158"	161"	
Splitter Gearbox HP	100 hp			
Blade Tip Speed	16,200 fpm	18,000 fpm		
Drive Type	gearbox over v-belt			
Transport Tires	(2) 20" x 8"	(2) 20.5" x 8"		
Caster Wheel Bearings	power metal bushing	tapered roller bearings		
Caster Wheels	(10) 10" x 4" solid	(10) 15" x 6" pneumatic	(10) 18" x 9.5" pneumatic	
Deck Thickness	10 gauge steel plate	8 gauge		
Wing Deck Lift Cylinders	3" x 10" single acting	3.5" x 10" single acting		
Center Deck Lift Cylinders	3" x 8" single acting			
Trailer Frame Construction	.25" wall tubing			
Hitch Adjustment	floating clevis, multi-position			
Blade Spindles Bearings	greasable ball bearings	greasable tapered roller		
Blade Dimensions	(9) .25" x 2.5"	(9) .25" x 2.5"		
Blade Spindles	(9) cast iron	(9) cast iron		
Cutting Height Adjustment	spacer on caster			
Belts	B-section, Kevlar			
Belt Adjustment	spring-loaded idler			
Chain Shielding	optional	standard		



# FLAIL SHREDDERS | Center Drive

## SIX MODELS IN SIX WIDTHS:

15'/6-ROW, 20'/8-ROW,  
22'/8-ROW, 25'/10-ROW, 27'/10-ROW, AND  
30'/12-ROW (30-INCH ROWS)



# S30CD

### FEATURES

- Designed to shred corn, cotton and milo stalks, as well as potato vines, sugar beet tops and other specialty crops
- Woods shredder bodies are supported by three massive tubular beams to increase strength and reduce vibration, extending the life of the machine
- Shredder drive is protected with either a 24,000 lbs. inch overrunning disc clutch (not available on S30CD) or a 30,000 lbs. inch overrunning automatic clutch, made completely of metal. The clutch disengages when torque limit is reached. To re-engage, reduce tractor PTO speed to match gearbox input shaft

### END-TOW TRANSPORT HITCH

The end-tow hitch makes transporting your Woods Flail Shredder quick and easy. In just minutes, the shredder converts from a center drive connection to your tractor into an end-tow hitch that can be easily moved to the next job. The end-tow transport hitch is standard on the S30CD, optional on S15CD through S27CD.\*

\*The above image is not representative of end-tow option available for models S15CD through S27CD

## TRACTOR PTO HP RANGE: 90 - 240 HP

**S15CD** | Cutting width: 183 inches

**S20CD** | Cutting width: 247 inches

**S22CD** | Cutting width: 271 inches

**S25CD** | Cutting width: 303 inches

**S27CD** | Cutting width: 327 inches

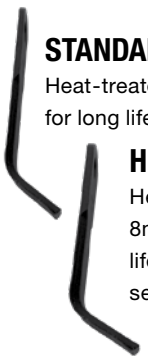
**S30CD** | Cutting width: 363 inches

- High-capacity gearbox with large oil volume reduces heat buildup, extending bearing and gear life
- Specially designed oil seal protectors prevent vines from encasing and damaging gearbox oil seals
- 12.75-inch diameter flail tubes with spiral mounted knives feature increased rigidity, resulting in smoother operation



### TRI-LATERAL HOOD ALLOWS QUADRUPLE SHREDDING ACTION

The first cut occurs at the cutting level, the second at the front panel, the third at the top of the shredder, and the fourth cut occurs at the back of the shredder



#### STANDARD L KNIFE

Heat-treated, 6mm reversible for long life

#### HD-COTTON L KNIFE

Heat-treated, Duraface®, 8mm reversible for longer life and durability in severe conditions

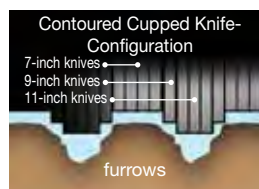
#### CUPPED KNIVES

Create vacuum action to lift foliage off the ground and up into the shredder; can be used in combination with L-knives



#### CONTOUR CUPPED KNIVES

Three different length cup knives; great for defoliating potato vines or other root crops grown on ridges



MODEL	S15CD	S20CD	S22CD	S25CD	S27CD	S30CD
Minimum Tractor PTO HP	90 hp	120 hp	132 hp	150 hp	162 hp	240 hp
Tractor PTO	1,000 rpm					
Cutting Height	2"—14"					
Cutting Width	183"	247"	271"	303"	327"	363"
Overall Width	190"	254"	278"	310"	334"	380"
Approximate Weight	4,248 lbs	5,038 lbs	5,308 lbs	5,838 lbs	6,138 lbs	6,958 lbs
Number of L Knives	168	232	256	288	312	352
Number of C Knives	84	116	128	144	156	176
Lift HP Required	90 hp	120 hp	135 hp	150 hp	165 hp	190 hp
Pull HP Required	90 hp	120 hp	135 hp	150 hp	165 hp	N/A
Rotor Speed	1,350 rpm					
Blade Tip Speed	11,700 (133 mph)					
Gearbox HP Rating	300 hp					
Gearbox Warranty (limited)	5 years					
Driveline 2 Point & 3 Point	CAT 6					
Pull-type	CAT 6 CV					
Hood Type	smooth, trilateral shape					
Hood Thickness	.18" (optional wearliner available)					
End Plate Thickness	.25"					
Flail Tube Diameter	12.75"					
Rotor Shaft Size	2.18" (2-3/16")					
Flail Tube End Bearing	2.18" (2-3/16")					
Shielding	rubber belting or flaps					
Wheel Size	9.5L" x 15"					
Knife Retention	bolt-on (no D-rings)					
Knife Pattern	spiral					
Knife Types	double-edged L (6mm), double-edged HD-cotton Duraface® L (8mm); cup or contour cup					
Wheel Arm Types	rigid strut or caster					caster
Optional Disc Clutch	24,000 lbs inch rating					NA
Automatic Disc Clutch	30,000 lbs inch rating (1.75" 20 PTO only)					standard
Optional Hitches	two-point, three-point (Quick-Hitch compatible) pull					three-point mounted